

PARTICULARS	PAGE NO.
INTRODUCTION	1
CLAAS DOMINATOR 100 -105	2
CLAAS DOMINATOR 56 - 66	2
CLAAS DOMINATOR 58	3
CLAAS DOMINATOR 68	3
CLAAS DOMINATOR 76	4
CLAAS DOMINATOR 78	4
CLAAS DOMINATOR 80 - 85	5
CLAAS DOMINATOR 86	5
CLAAS DOMINATOR 96	6
CLAAS DOMINATOR 98 S/SL	6
CLAAS MATADOR	7
CLAAS MERCATOR S70-75	7
CLASS MERCUR	8
CLAAS PROTECTOR	8
CLAAS SENATOR 80 - 85	9
NEW REFERENCES	9
NEW REFERENCES	10
NEW HOLLAND 8040 - 8055	10
NEW HOLLAND 8030	11
NEW HOLLAND 8050 - 8060	11
NEW HOLLAND 8070	12
NEW HOLLAND 8080	12
NEW HOLLAND TX30	13
NEW HOLLAND TX30 RH	13
NEW HOLLAND TX32	14
NEW HOLLAND TX32	14
NEW HOLLAND TF42	15
NEW HOLLAND TF44	15
NEW HOLLAND TF46	16
NEW HOLLAND TX34	16
NEW HOLLAND TX36	17
NEW HOLLAND TX36	17
NEW REFERENCES	18
JOHN DEERE 330 - 430	18
JOHN DEERE 530 - 630 - 730	19
JOHN DEERE 925	19
JOHN DEERE 930 - 940	20
JOHN DEERE 950 - 960 - 970	20
MASSEY FERGUSON 24	21
MASSEY FERGUSON 760/765/780/860/865	21
LAVERDA M100M120	22
LAVERDA 3350 ex.m112al	22
LAVERDA M132	23
LAVERDA 3350 exm112	23
LAVERDA 3450	24
LAVERDA 3300/3300al	24
LAVERDA 3600/3700/3790	25
LAVERDA 3900	25
DEUTZ FAHR TOPLINER 460	26
NEW REFERENCES-"CASE"	26
PREVENTIVE MAINTENANCE TIPS	27
PREVENTIVE MAINTENANCE TIPS	28
TYPES OF FAILURES	29
DO'S AND DON'TS	29
NOTES	30

## PIX AGRI BELTS

PIX Agribelts are available in different types e.g. Regular section, Hexagonal section, Variable speed belts and Banded. They are specially made to provide maximum service life in the practical application.

Hexagonal section provides the stability and support to transmit power on Agricultural serpentine drives.

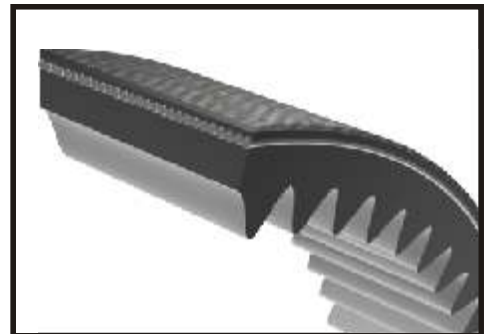
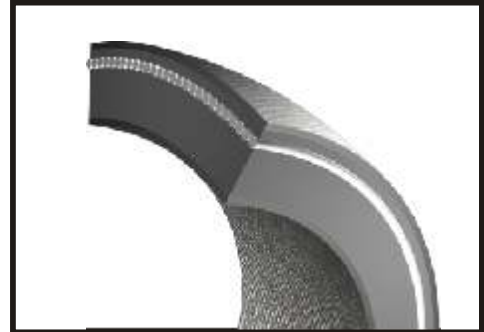
Agriculture Variable Speed Belts are specially designed to withstand the high ambient temperature and oily conditions generally encountered in adjustable speed applications. For heavy duty application these belts are provided with special type of fabric at bottom for the extra flexibility required on small diameter pulleys and also with fibre filled compound on top side to impart extra rigidity in transverse direction. This enables the belt to withstand the forces and loads subjected during movement inside split type of pulleys.

The notable feature of Agricultural Variable Speed belts is that they transmit much higher loads over a narrower speed range. Therefore, Agricultural Variable Speed belts require higher tensile strength and are thicker with more reinforcement in the tensile support than Industrial belts.

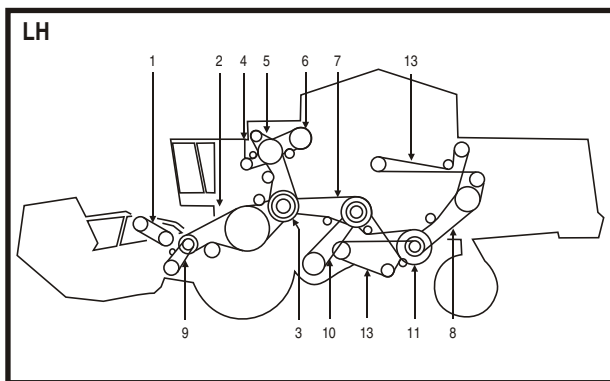
PIX Banded belts are more suitable in conditions where high vibrations and shock loads are expected.

### Salient features of PIX Agribelts

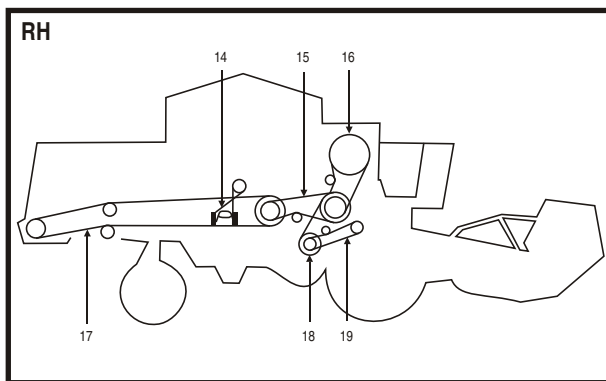
- PIX Agribelts are designed for efficient power transmission with minimised heat generation.
- A special rubber compound with textile fibre oriented across the transverse direction of length of the Cut Edge Belts provides high stability and minimizes deflection in the cross section.
- The minimum stretch stiff polyester cords have been designed for heavy power transmission, while at the same time ensuring a very high degree of length stability.
- The sides of the belts have excellent abrasion resistant properties contributing significantly to long and useful belt life.
- Moulded cogs reduces bending stresses and improves heat dissipation in Cut Edge construction.



## CLAAS DOMINATOR 100 - 105



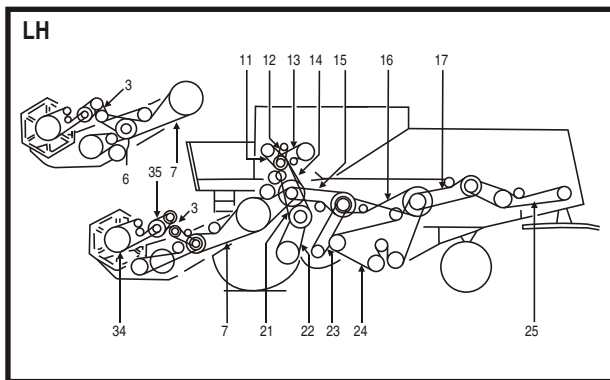
ITEM	OEM REF.	PIX REF.	DESCRIPTION
1	670224.0	HC670224	Variable speed reel
2	672353.0	HC672353	Cutting table
3	629000.1	HC629000	Threshing machine
4	629001.0	HC629001	Hyd pump traction
5	629002.1	HC629002	Hyd pump
6	673614.0	HC673614	Grain tank
7	672358.0	HC672358	Shaker shoe
8	629036.0	HC629036	Straw walker
9	629214.0	HC629214	Knife drive
10	671209.0	HC671209	Variable speed fan



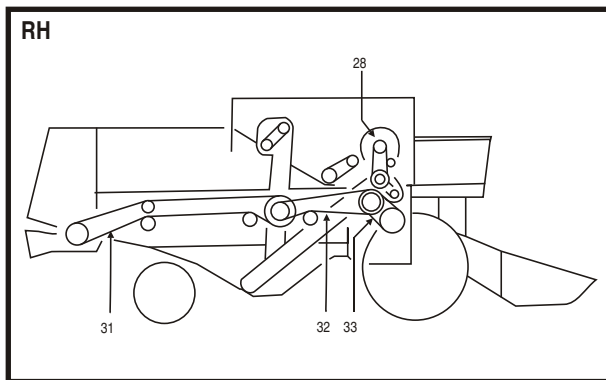
ITEM	OEM REF.	PIX REF.	DESCRIPTION
11	672359.1	HC672359	Shaker shoe return
12	629081.1	HC629081	Grain auger
13	629732.1	HC629732	Elevator
* 14	<i>501925.0</i>	<i>HC501925</i>	<i>Feeder elevator</i>
* 15	<i>060306.2</i>	<i>HC060306</i>	<i>Countershaft</i>
* 16	<i>802931.0</i>	<i>HC802931</i>	<i>Air in-take</i>
* 17	<i>061253.1</i>	<i>HC061253</i>	<i>Straw chopper</i>
* 18	<i>629035.0</i>	<i>HC629035</i>	<i>Cylinder vari drive</i>
* 19	<i>629510.1</i>	<i>HC629510</i>	<i>Threshing machine</i>

\* The text in *italics* indicates part numbers that belongs to RHS of the image.

## CLAAS DOMINATOR 56 - 66



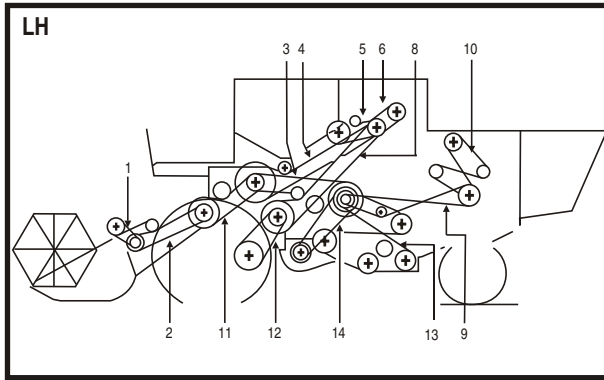
ITEM	OEM REF.	PIX REF.	DESCRIPTION
1	670224.0	HC670224	Variable speed
2	656028.0	HC656028	Hydraulic pump
3	670224.0	HC670224	Variable speed
6	603122.0	HC603122	Feed drive
11	767057.0	HC767057	Hydraulic pump
12	621903.0	HC621903	A/c compressor
13	673614.0	HC673614	Grain unload auger
14	671012.1	HC671012	Drum drive
15	603337.0	HC603337	Fanning mill
16	603336.1	HC603336	Shaker shoe drive
17	506671.1	HC506671	Walker drive



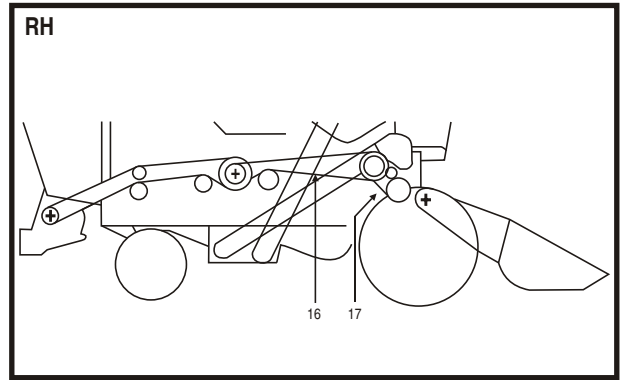
ITEM	OEM REF.	PIX REF.	DESCRIPTION
21	629436.0	HC629436	Drive
22	629756.0	HC629756	Land drive
23	671209.0	HC671209	Fanning mill
24	603017.3	HC603017	Sieve drum drive
25	635494.0	HC635494	Straw spreader
35	629214.0	HC629214	Reel drive
35	056961.0	HC056961	Reel variator
* 28	<i>783430.1</i>	<i>HC783430</i>	<i>Rotary screen</i>
* 31	<i>061361.1</i>	<i>HC061361</i>	<i>Chopper drive</i>
* 32	<i>060306.2</i>	<i>HC060306</i>	<i>Counter shaft drive</i>
* 33	<i>603015.1</i>	<i>HC603015</i>	<i>Variator drum</i>

\* The text in *italics* indicates part numbers that belongs to RHS of the image.

## CLAAS DOMINATOR 58



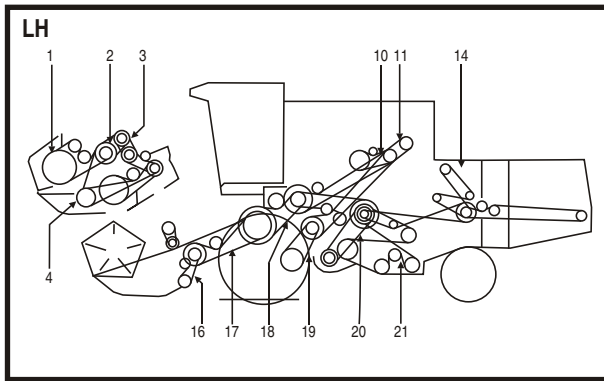
ITEM	OEM REF.	PIX REF.	DESCRIPTION
1	778561.0	HC778561	Pick up reel
2	724301.0	HC724301	Cutter table
3	724141.0	HC724141	Fanning mill
4	724100.0	HC724100	Threshing mech
5	673614.0	HC673614	Grain tank unload
6	767057.0	HC767057	Hydraulic pump
7	783268.1	HC783268	Compressor (set 2)
8	724180.0	HC724180	Fan drive
8	724181.0	HC724181	Fan drive
9	785176.0	HC785176	Straw walker



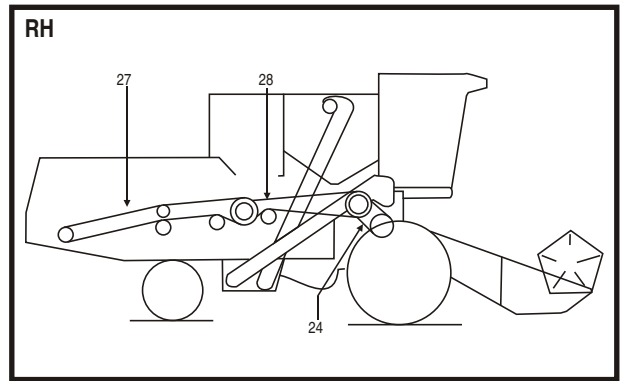
ITEM	OEM REF.	PIX REF.	DESCRIPTION
10	802931.0	HC802931	Air intake
11	724168.0	HC724168	Feed drive
11	724339.0	HC724339	Feed drive
12	629756.0	HC629756	Land drive
13	724247.0	HC724247	Impellor
14	603380.0	HC603380	Cleaning fan
* 15	<i>061902.0</i>	<i>HC061902</i>	<i>Chopper drive</i>
* 16	<i>061872.0</i>	<i>HC061872</i>	<i>Chopper drive final</i>
* 17	<i>603015.1</i>	<i>HC603015</i>	<i>Variator drum</i>
* 17	<i>628630.0</i>	<i>HC628630</i>	<i>Variator drum</i>

\* The text in *italics* indicates part numbers that belongs to RHS of the image.

## CLAAS DOMINATOR 68



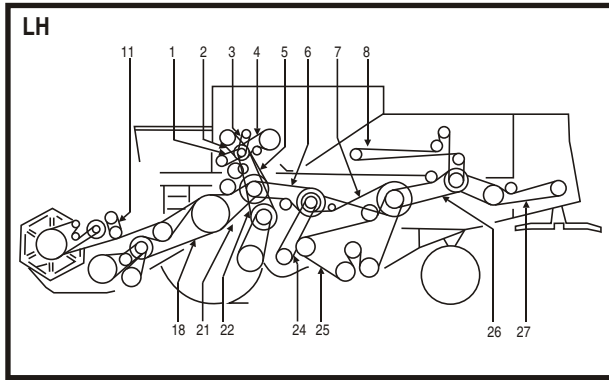
ITEM	OEM REF.	PIX REF.	DESCRIPTION
1	603284.0	HC603284	Reel drive
2	056961.0	HC056961	Reel variator
3	670224.0	HC670224	Variable speed
4	603283.0	HC603283	Knife drive up to 3 MT
4	731506.2	HC731506	Knife drive 3.6 - 5.10 MT
10	673614.0	HC673614	Grain tank unload
11	767057.0	HC767057	Hydraulic pump
14	802931.0	HC802931	Air intake
16	629214.0	HC629214	Knife drive



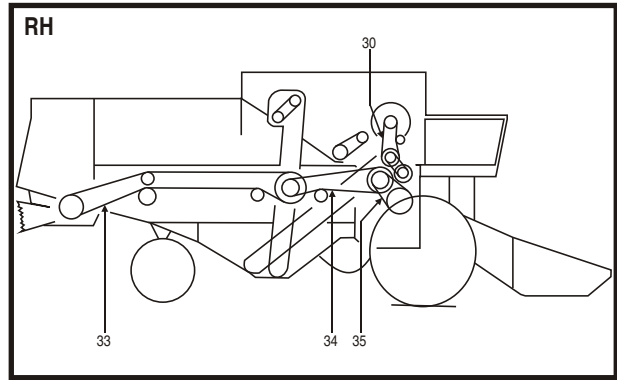
ITEM	OEM REF.	PIX REF.	DESCRIPTION
17	629836.1	HC629836	Feeder drive (set 2)
18	673638.0	HC673638	Straw elevator
19	629756.0	HC629756	Land drive
20	603380.0	HC603380	Fan variator
21	724247.0	HC724247	Drum impellor
* 24	<i>603015.1</i>	<i>HC603015</i>	<i>Drum variator</i>
* 27	<i>061902.0</i>	<i>HC061902</i>	<i>Straw chopper</i>
* 28	<i>061872.0</i>	<i>HC061872</i>	<i>Straw chopper</i>

\* The text in *italics* indicates part numbers that belongs to RHS of the image.

**CLAAS DOMINATOR 76**



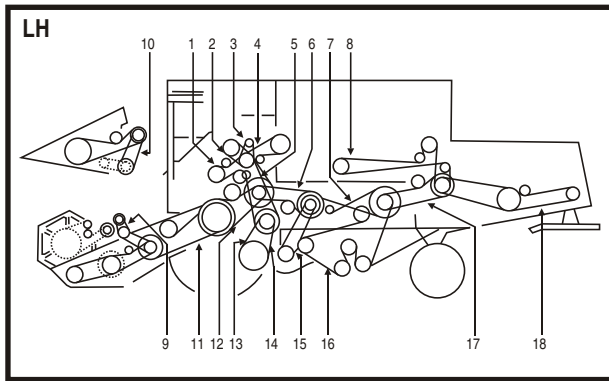
ITEM	OEM REF.	PIX REF.	DESCRIPTION
1	603625.0	HC603625	Hydro pump traction drive
2	767057.0	HC767057	Hydraulic pump
3	621903.0	HC621903	A/c compressor drive
4	673614.0	HC673614	Grain tank unload
5	671012.0	HC671012	Main drive
6	603337.0	HC603337	Fanning mill
6	672358.0	HC672358	Fanning mill
7	603336.1	HC603336	Shaker drive
7	672359.1	HC672359	Shaker drive
8	629732.1	HC629732	Elevator drive
11	670224.0	HC670224	Reel vari speed
18	603122.0	HC603122	Feeder drive



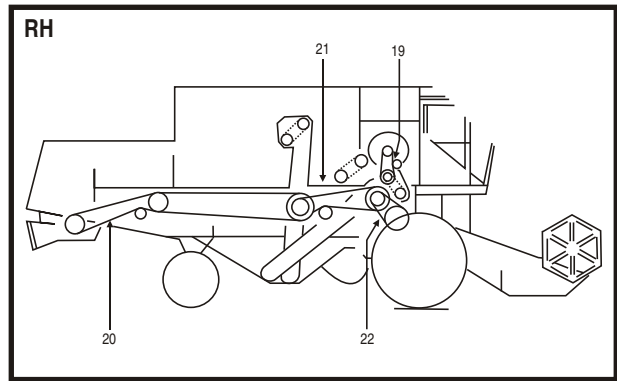
ITEM	OEM REF.	PIX REF.	DESCRIPTION
20	629214.0	HC629214	Knife drive
21	673638.0	HC673638	Straw elevator
22	629436.0	HC629436	Traction drive
24	671209.0	HC671209	Fanning mill vari speed
25	603017.3	HC603017	Returns auger
26	506671.1	HC506671	Straw walker
27	623427.1	HC623427	Straw spreader
* 30	783430.0	HC783430	Rotary screen
* 33	061360.0	HC061360	Straw chopper
* 34	060306.0	HC060306	Counter shaft
* 35	603015.1	HC603015	Drum variator

\* The text in *italics* indicates part numbers that belongs to RHS of the image.

**CLAAS DOMINATOR 78**



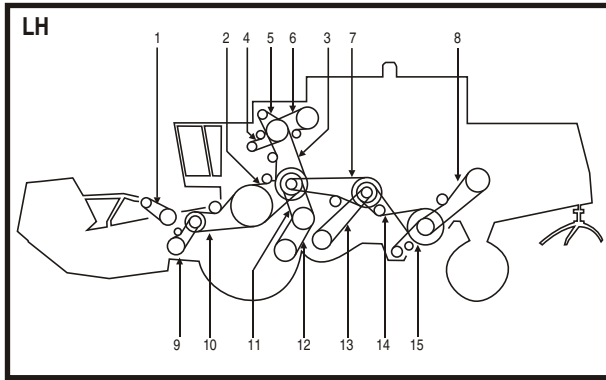
ITEM	OEM REF.	PIX REF.	DESCRIPTION
1	603625.0	HC603625	Hydro pump traction drive
2	767057.0	HC767057	Hydraulic pump
3	629908.1	HC629908	A/C Compressor drive
4	673614.0	HC673614	Grain tank unload
5	671012.0	HC671012	Main drive
6	603337.0	HC603337	Fanning mill
6	672358.0	HC672358	Fanning mill
7	603336.1	HC603336	Shaker drive
7	672359.1	HC672359	Shaker drive
8	629732.1	HC629732	Elevator drive
9	670224.0	HC670224	Reel vari speed
10	778717.0	HC778717	Cutting table



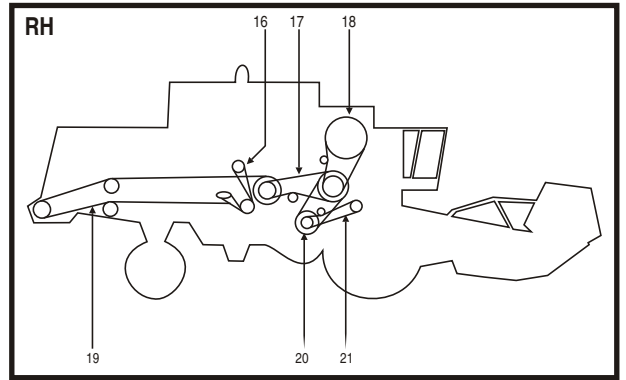
ITEM	OEM REF.	PIX REF.	DESCRIPTION
11	629836.0	HC629836	Feed drive
12	673638.0	HC673638	Cutting table clutch
13	603427.0	HC603427	Traction drive
14	603317.0	HC603317	Variator traction drive
15	671209.0	HC671209	Variable speed fanning mill
16	603017.3	HC603017	Returns auger
17	506671.0	HC506671	Straw walker
18	623427.1	HC623427	Straw spreader
* 19	603341.0	HC603341	Rotary screen
* 20	061360.0	HC061360	Straw chopper
* 21	060306.0	HC060306	Counter shaft
* 22	628630.0	HC628630	Drum Variator

\* The text in *italics* indicates part numbers that belongs to RHS of the image.

## CLAAS DOMINATOR 80-85



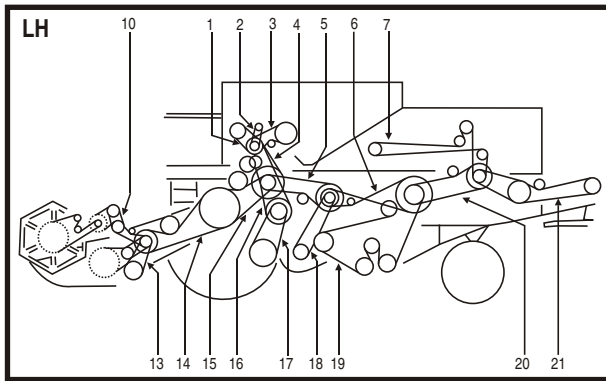
ITEM	OEM REF.	PIX REF.	DESCRIPTION
1	670224.0	HC670224	Reel speed
2	560562.0	HC560562	Cylinder drive
3	671012.1	HC671012	Main drive
4	673625.0	HC673625	Hydraulic pump traction
5	532011.1	HC532011	Hydraulic pump
6	656028.0	HC656028	Hydraulic pump
7	672358.0	HC672358	Shaker drive
8	673601.0	HC673601	Straw walker
9	769202.0	HC769202	Knife drive
10	778717.0	HC778717	Table drive
11	720866.0	HC720866	Traction drive
12			
13			
14			
15			



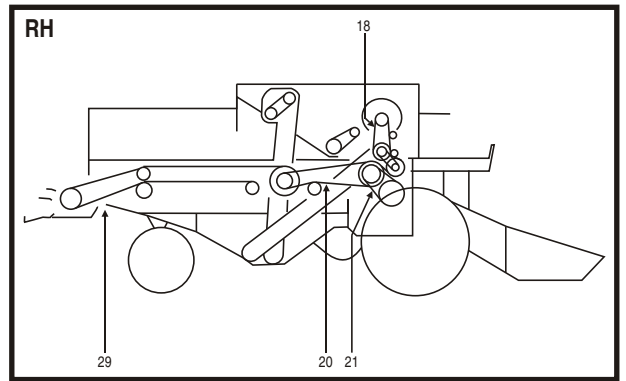
ITEM	OEM REF.	PIX REF.	DESCRIPTION
13	671209.0	HC671209	Variable speed
14	672359.0	HC672359	Shaker shoe
15	673690.1	HC673690	Grain auger
* 16	<i>501925.0</i>	<i>HC501925</i>	<i>Feeder auger</i>
* 17	<i>060306.2</i>	<i>HC060306</i>	<i>Counter shaft</i>
* 18	<i>802931.0</i>	<i>HC802931</i>	<i>Air intake</i>
* 19	<i>060949.1</i>	<i>HC060949</i>	<i>Straw chopper</i>
* 20	<i>671015.0</i>	<i>HC671015</i>	<i>Vari speed cylinder</i>
* 21	<i>671012.1</i>	<i>HC671012</i>	<i>Threshing</i>
* N/I	<i>629035.1</i>	<i>HC629035</i>	<i>Cylinder drive</i>
* N/I	<i>629214.1</i>	<i>HC629214</i>	<i>Knife drive</i>

\* The text in *italics* indicates part numbers that belongs to RHS of the image.

## CLAAS DOMINATOR 86



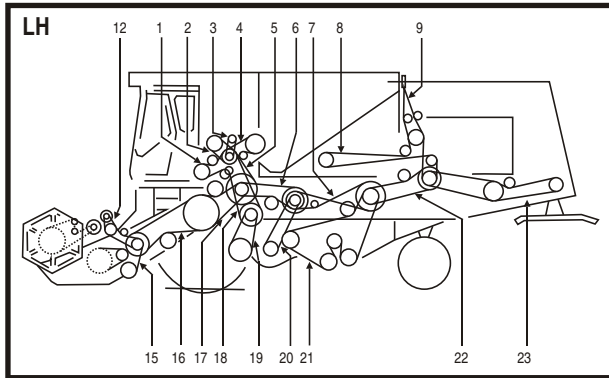
ITEM	OEM REF.	PIX REF.	DESCRIPTION
1	767057.0	HC767057	Hydraulic pump
2	621903.0	HC621903	Air con compressor
3	673614.0	HC673614	Grain tank
4	671012.0	HC671012	Drum drive
5	603337.0	HC603337	Fanning mill
6	603336.1	HC603336	Shaker drive
7	629732.1	HC629732	Elevator
10	670224.0	HC670224	Reel vari
13	629214.0	HC629214	Knife drive
14	603122.0	HC603122	Feed drive
15	673638.0	HC673638	Drive power band



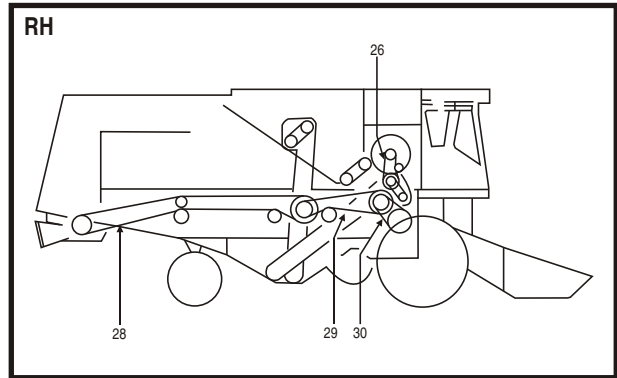
ITEM	OEM REF.	PIX REF.	DESCRIPTION
16	603427.0	HC603427	Traction drive
17	603317.0	HC603317	Land wheel
19	603017.0	HC603017	Returns auger
24	603341.0	HC603341	Rotary screen
27	060306.2	HC060306	Counter drive shaft
28	603015.1	HC603015	Drum variator
* 18	<i>671209.0</i>	<i>HC671209</i>	<i>Returns auger</i>
* 20	<i>506671.1</i>	<i>HC506671</i>	<i>Straw walker</i>
* 21	<i>635494.0</i>	<i>HC635494</i>	<i>Straw spreader</i>
* 29	<i>061361.1</i>	<i>HC061361</i>	<i>Straw chopper</i>

\* The text in *italics* indicates part numbers that belongs to RHS of the image.

## CLAAS DOMINATOR 96



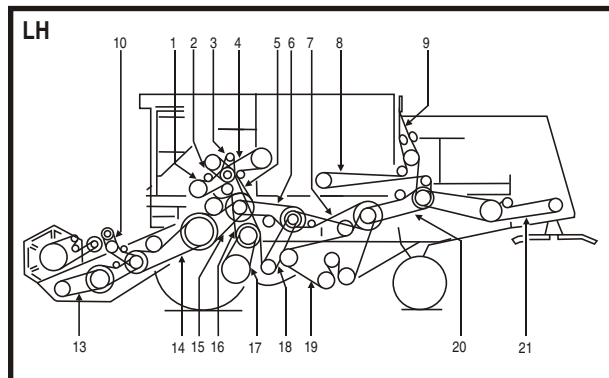
ITEM	OEM REF.	PIX REF.	DESCRIPTION
1	176543.0	HC176543	Hydrostatic drive
2	767057.0	HC767057	Hydraulic pump
3	629903.1	HC629903	A/C Comp upto 09002764
3	629908.1	HC629908	A/C Comp from 09002765
4	673614.0	HC673614	Grain tank unload
5	671012.1	HC671012	Drum drive
6	603337.0	HC603337	Fanning mill
7	603336.1	HC603336	Shaker drive
8	629732.1	HC629732	Elevator
9	802931.0	HC802931	Air intake
12	670224.0	HC670224	Variable reel
15	629214.0	HC629214	Knife drive
16	603122.0	HC603122	Feed drive



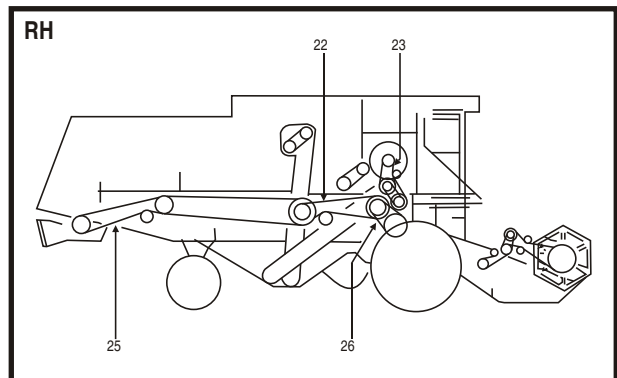
ITEM	OEM REF.	PIX REF.	DESCRIPTION
17	673638.0	HC673638	Straw elevator
18	609822.0	HC609822	Land wheel
19	609823.0	HC609823	Variator drive
20	671209.0	HC671209	Variable speed
21	603017.0	HC603017	Returns auger
22	506671.1	HC506671	Straw walker
23	623427.1	HC623427	Straw walker
* 26	603341.0	HC603341	Rotary screen
* 28	061360.0	HC061360	Straw chopper
* 29	060306.2	HC06306	Counter shaft
* 30	603015.1	HC603015	Drive variator
* N/I	673625.0	HC673625	Hyd. Pump traction drive

\* The text in *italics* indicates part numbers that belongs to RHS of the image.

## CLAAS DOMINATOR 98 S/SL



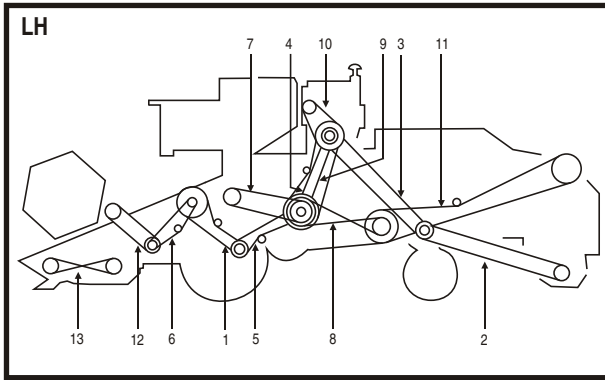
ITEM	OEM REF.	PIX REF.	DESCRIPTION
1	629001.0	HC629001	Hydro pump with merc eng
1	629133.0	HC629133	Hyd pump merc eng
1	673625.0	HC673625	Hyd pump merc/perk eng
2	603378.0	HC603378	Hyd pump merc eng
2	767057.1	HC767057	Hyd pump
3	629908.1	HC629908	A/c compressor
4	629769.0	HC629769	Grain tank unload
5	629000.0	HC629000	Engine coupling merc
5	671012.1	HC671012	Eng coupling perkins
6	603337.0	HC603337	Drive to fanning mill
7	603336.1	HC603336	Shaker drive
8	629732.1	HC629732	Elevator
9	802931.0	HC802931	Air intake
10	670224.0	HC670224	Reel vari speed



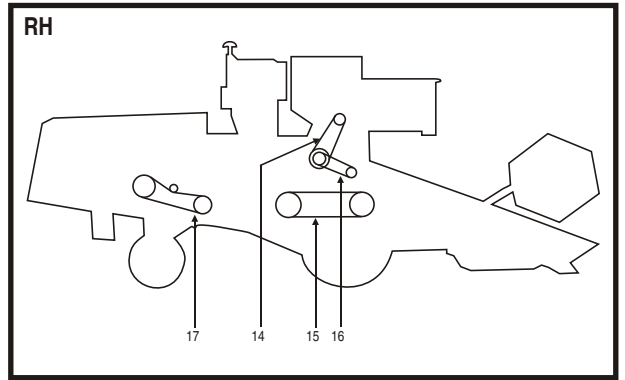
ITEM	OEM REF.	PIX REF.	DESCRIPTION
13	671013.1	HC671013	Knife drive
14	061872.0	HC061872	Feed drive set 1
14	629836.0	HC629836	Feed drive set 2
15	673628.0	HC673628	Straw elevator
16	609822.0	HC609822	Land drive mechanical
17	609823.0	HC609823	Land drive variator
18	671209.0	HC671209	Variable speed fanning mill
19	603017.3	HC603017	Returns auger
20	506671.1	HC506671	Straw walker
21	623427.1	HC623427	Straw spreader
* 22	060306.2	HC060306	Counter shaft
* 23	603341.0	HC603341	Rotary sieve
* 25	061360.0	HC061360	Straw chopper
* 26	628630.0	HC628630	Dresser

\* The text in *italics* indicates part numbers that belongs to RHS of the image.

## CLAAS MATADOR



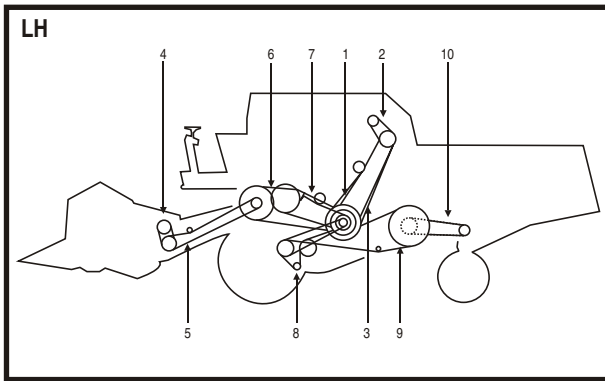
ITEM	OEM REF.	PIX REF.	DESCRIPTION
1	500863	HC500863	Cutting table
2	500868	HC500868	Straw bailer
3	551068	HC551068	Counter shaft
4	630144	HC630144	Traction drive
4	505051	HC505051	Traction drive
5	653121	HC653121	Elevator fan
5	610196	HC610196	Elevator fan
6	610833	HC610833	Table drive
7	617039	HC617039	Cylinder
8	623252	HC623252	Shaker shoe



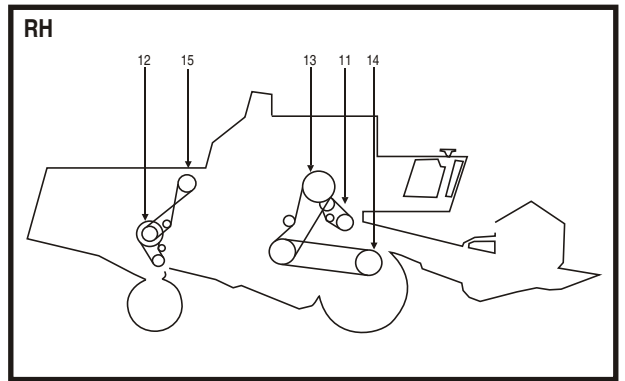
ITEM	OEM REF.	PIX REF.	DESCRIPTION
9	630025	HC630025	Main drive
9	630043	HC630043	Drum drive
10	767057	HC767057	Hydraulic pump
11	772658	HC772658	Shaker shoe
12	778561	HC778561	Reel variator
13	800309	HC800309	Pick up
* 14	636021	HC636021	Tank auger
* 15	630156	HC630156	Variator
* 16	750294	HC750294	Turning drum
* 17	801222	HC801222	Straw walker set 4

\* The text in *italics* indicates part numbers that belongs to RHS of the image.

## CLAAS MERCATOR S70-75



ITEM	OEM REF.	PIX REF.	DESCRIPTION
1	653060	HC653060	Main drive
2	656028	HC656028	Hydraulic pump
3	630144	HC630144	Main drive
4	778561	HC778561	Variable speed reel
5	630833	HC630833	Knife drive (set 2)
6	610830	HC610830	Knife drive (set 2)
7	617309	HC617309	Cylinder vari drive
8	653380	HC653380	Fanning mill

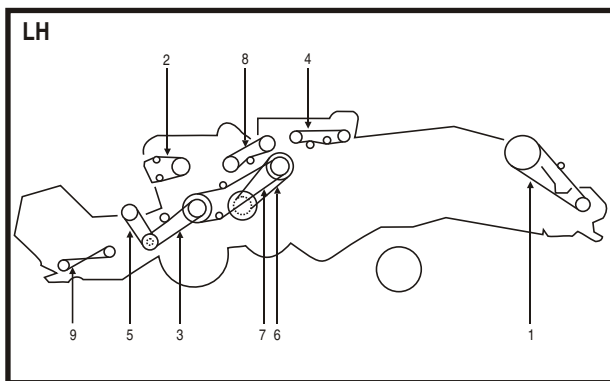


ITEM	OEM REF.	PIX REF.	DESCRIPTION
9	653120	HC653120	Shaker shoe drive
10	634019	HC634019	Grain tank
* 11	750294	HC750294	Turning drum
* 12	755070	HC755070	Straw walker (2)
* 12	750294	HC750294	Turning drum
* 13	654354	HC654354	Tank unloader
* 14	655408	HC655408	Traction drive
* 15	687046	HC687046	Shaker

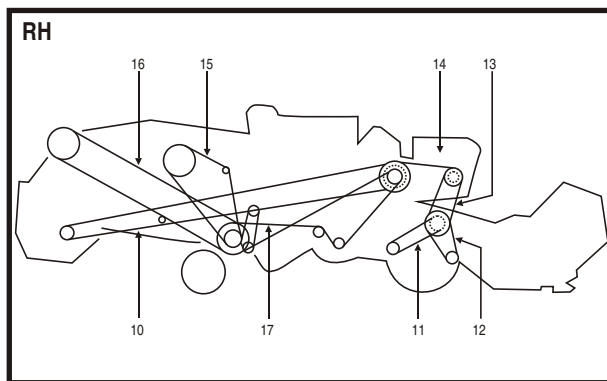
\* The text in *italics* indicates part numbers that belongs to RHS of the image.



## CLAAS MERCUR



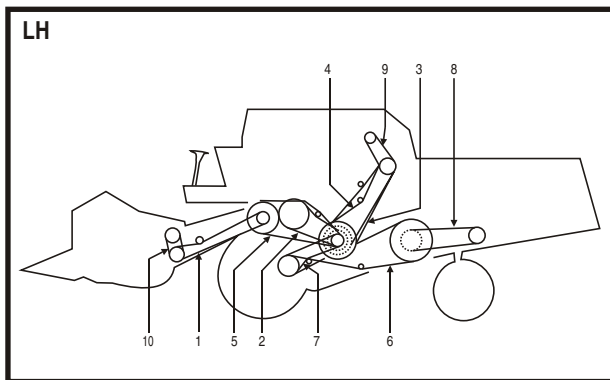
ITEM	OEM REF.	PIX REF.	DESCRIPTION
1	500863	HC500863	Cutting table
2	758719	HC758719	Cooling fan
2	758662	HC758662	Cooling fan
3	778717	HC778717	Knife drive
3	770214	HC770214	Knife drive
4	775689	HC775689	Grain spreader
5	778561	HC778561	Reel variator
6	779039	HC779039	Cylinder
7	779214	HC779214	Traction
8	780419	HC780419	Grain tank



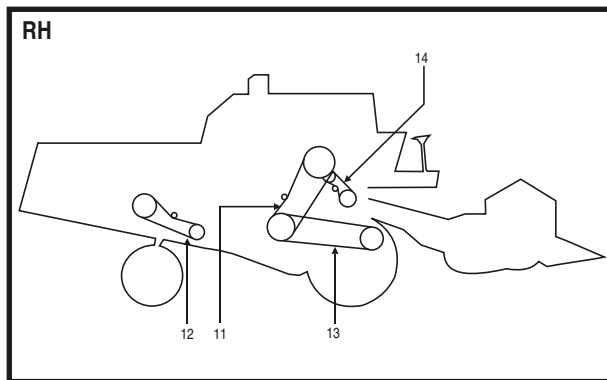
ITEM	OEM REF.	PIX REF.	DESCRIPTION
9	800309	HC800309	Pick up
* 10	551190	HC551190	Straw chopper
* 11	751112	HC751112	Traction vari drive
* 12	755070	HC755070	Hydraulic pump
* 13	750316	HC750316	Driving wheel vari
* 14	758854	HC758854	Threshing clutch
* 15	773313	HC773313	Straw walker set 2
* 16	779212	HC779212	Straw walker screen
* 17	779213	HC779213	Shaker shoe

\* The text in *italics* indicates part numbers that belongs to RHS of the image.

## CLAAS PROTECTOR



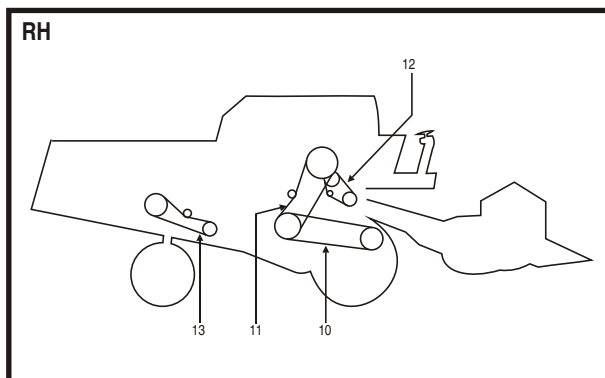
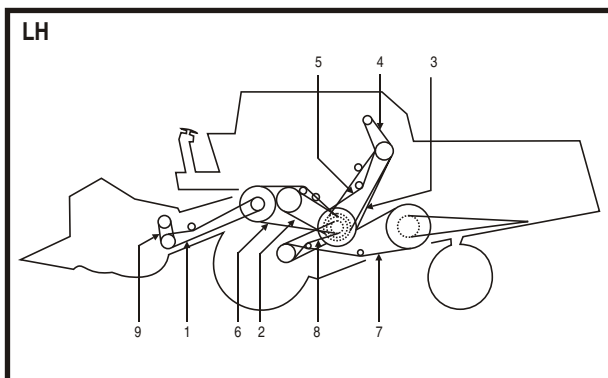
ITEM	OEM REF.	PIX REF.	DESCRIPTION
1	610830.0	HC610830	Feed auger pick up
1	610833.0	HC610833	Feed auger pick up
2	617309.0	HC617309	Drum variator
3	653062.0	HC653062	Main drive
3	653059.0	HC653059	Main drive
4	653060.0	HC653060	Main drive powerband
5	656063.0	HC656063	Feed elevator variator
6	653120.0	HC653120	Fan screen drive



ITEM	OEM REF.	PIX REF.	DESCRIPTION
7	653121.0	HC653121	Fan variator shaft
8	653450.0	HC653450	Screen drive
9	656028.0	HC656028	Hydraulic pump
10	778561.0	HC778561	Variable speed
* 11	653779.0	HC653779	Tank discharge
* 12	653933.0	HC653933	Straw walker
* 13	655408.0	HC655408	Driving wheel
* 14	750294.0	HC750294	Rear beater

\* The text in *italics* indicates part numbers that belongs to RHS of the image.

## CLAAS SENATOR 80-85



ITEM	OEM REF.	PIX REF.	DESCRIPTION
1	610830.0	HC610830	Feed auger pick up
1	610833.0	HC610833	Feed auger pick up
2	617309.0	HC617309	Drum variator
3	630144.0	HC630144	Engine shaft
3	653059.0	HC653059	Main drive
3	653062.0	HC653062	Main drive
4	633030.0	HC633030	Hydraulic pump
5	653060.0	HC653060	Main drive multi V
6	653063.0	HC653063	Feed shaft variator
7	653120.0	HC653120	Screen drive

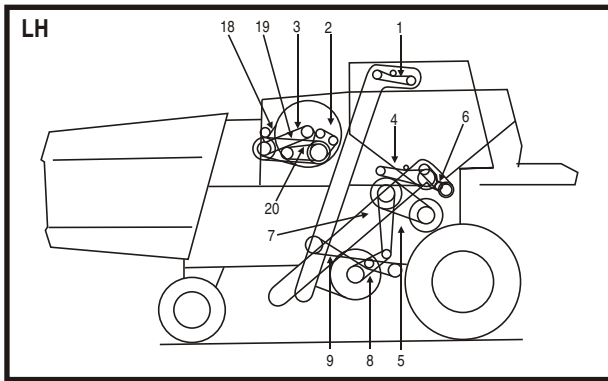
ITEM	OEM REF.	PIX REF.	DESCRIPTION
8	653380.1	HC653380	Fan variator > 77001807
8	653121.0	HC653121	Fan variator < 77000100
9	778561.0	HC778561	Reel variator
* 10	631904.0	HC631904	Variator < 77000100
* 10	655408.0	HC655408	Variator > 77000101
* 11	654013.0	HC654013	Intermediate shaft
* 12	750294.0	HC750294	Rear beater
* 13	653933.0	HC653933	Straw walker
* 13	801222.0	HC801222	Straw walker
* N/I	653450.0	HC653450	Grain tank

\* The text in *italics* indicates part numbers that belongs to RHS of the image.

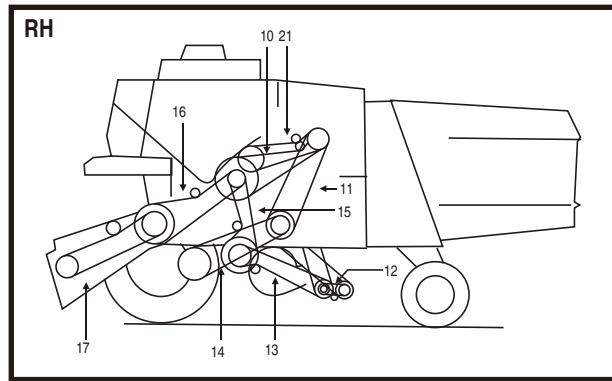
## NEW REFERENCES

ITEM	OEM REF.	PIX REF.	Description
1	XX077276.0	GMC077276	Rotary Screen Drive Jaguar 820-840
2	XX661245.0	HC661245	Engine Shaft Drive Dominator 208 - 218 Mega
3	XX661345.0	HC661345	Cooler Fan Drive Dominator 203 - 218 Mega
4	XX821734.2	HC821734	Rotary Screen Drive Dominator 108 - 118
5	XX052393.1	GMC052393	Air Conditioning Drive Jaguar 820 - 840
6	XX644781.0	HC644781	Fan Drive Lexion 415 - 460
7	XX750193.2	GMC750193	Hydraulic Pump Drive Jaguar 675 - 680
8	XX667242.0	HC667242	Fan & Rotary Screen Drive Lexion Range
9	XX077400.0	GMC077400K	Axial Flow Fan Drive Jaguar 820 - 840
10	XX667798.2	HC667798	Straw Spreader Drive - 1st Stage Lexion 480
11	XX667477.0	HC667477	Straw Walker Drive Lexion Range
12	XX644447.0	HC644447	Air Intake Drive Dominator 203 - 218 Mega
13	XX742206.0	GMC742206	Axial Flow Fan Drive Jaguar 860 - 880
14	LL667684.0	HC667684	Straw Chopper Drive -Fourth Stage Lexion 415 -430
15	XX742025.0	HC742025	Knife Drive Lexion 480
16	XX644209.0	HC644209	Sieve Pan Drive - Primary Lexion range
17	LL061353.1	HC061353	Straw Chopper Drive Dominator 203 - 218 Mega
18	XX644419.0	HC644419	Cutter Bar Clutch Drive Commander 116 - 228
19	XX603430.0	HC603430	Cutter Bar Clutch Drive Dominator 108 - 228 Mega
20	XX667454.0	HC667454	Intake Drive Lexion range
21	XX667249.0	HC667249	Impellor Drum Drive Lexion range
22	LL667251.0	HC667251	Speed Reducing Gearbox Drive Lexion Range
23	LL644538.0	HC644538	Drum V/S Drive Dominator 203 - 204 Mega
24	XX667681.0	HC667681	Grain Tank Unloader Drive Lexion 405 - 430

ITEM	OEM REF.	PIX REF.	Description
25	XX667252.0	HC667252	Sieve Pan Drive - Second Stage Lexion Range
26	XX644866.0	HC644866	Sieve Pan Drive Third Stage Lexion 480
27	XX749712.0	HC749712	Straw Chopper Drive - 3rd Stage Lexion 480
28	LL661093.0	HC661093	Straw Copper Drive - Final Lexion 440 - 460
29	XX667250.0	HC667250	Unloader Drive Lexion 440 - 460 & 480
30	XX667427.0	HC667427	Hybrid Drive 2nd Stage Lexion 480
31	XX176442.1	HC176442	Drum Drive Lexion 415 -430 and some 440 - 460
32	XX667554.0	HC667554	Hybrid Drive - 1st Stage Lexion 480
33	LL644685.1	HC644685	Straw Copper Drive - Primary Lexion 480
34	XX073204.0	GMC073204	Corn Cracker Drive Jaguar 682 - 685
35	XX067789.0	GMC067789K	Corn Cracker Drive Jaguar 830 - 900
36	LL077797.0	GMC077797K	Engine Output Drive 228kW Jaguar 820 - 840 (alt)
37	LL070952.2	GMC1085K	Cutting Cylinder Drive Jaguar 685L - 690
38	XX074771.2	GMC1083K	Cutting Cylinder Drive Jaguar 685SL (alt) 695SL
39	XX074803.2	GMC1082K	Cutting Cylinder Drive Jaguar 685SL (alt) 690SL
40	XX667453.0	HC667453	Drum Drive Lexion 440 - 460
41	XX077796.0	GMC077796K	Engine Output Drive Jaguar 860 - 880 820 - 840 (alt) 265kW
42	XX067746.0	GMC067746K	Aux Gearbox / Engine Output Jaguar 870 - 850
43	XX076401.0	GMC076401K	Engine Output Drive Jaguar 860
44	XX067747.1	GMC067747K	Aux Gearbox / Engine Output Jaguar 890 - 900
45	XX 667456.0	HC667456	Rotary Screen Drive Lexio 440 - 460 & 480
46	XX 667248.0	HC667248	Drum Drive Lexion 440 - 460 and some 415 - 430
47	LL-176542.1	HC176542	Hydrostatic Pump Drive Dominator 106 - 108
48	LL-176543.1	HC176543	Hydrostatic Pump Drive Dominator 76 - 96 & Traction Drive Jaguar 675 - 680



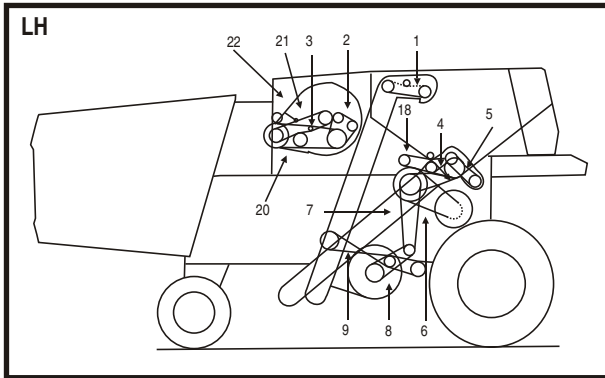
ITEM	OEM REF.	PIX REF.	DESCRIPTION
1	80116140		Chain
2	80443634	HN443634	Fan, alternator, water pump
3	80427455	HN427455	Radiator fan drive
4	80223589		Chain
5	80336784	HN336784	Drum vari drive
6	80116140		Chain
7	80230057	HN230057	Upper cleaning fan drive
8	80395955	HN395955	Lower cleaning fan drive
9	80431784	HN431784	Straw walker drive
18	80422441	HN422441	Rotary dust screen drive
19	80427456	HN427456	Fan & rotary dust screen
20	80393519	HN393519	Hydraulic pump drive



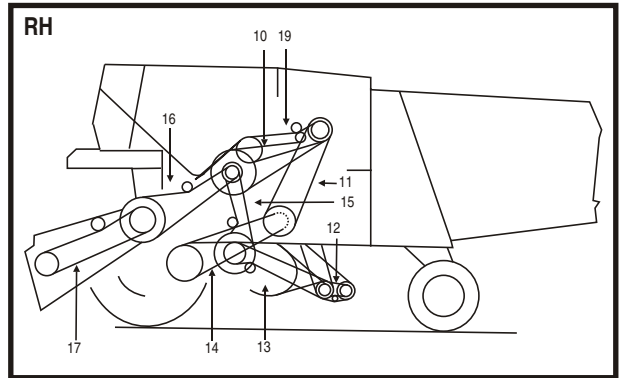
ITEM	OEM REF.	PIX REF.	DESCRIPTION
* 10	80422281	HN422281	Main drive
* 11	80356024	HN356024	Upper ground speed
* 12	80116140		Chain
* 13	80422731	HN422731	Grain elevator bottom auger
* 14	80439129	HN439129	Lower ground speed
* 15	80387469	HN387469	Eccentric shaft drive
* 16	80066232	HN066232	1HB straw elevator drive
* 16	80424563	HN424563	2HB straw elevator drive
* 17	80330715	HN330715	Header drive 8040
* 17	80394426	HN394426	Header drive 8055
* 21	80230164	HN230164	Grain tank auger 8040
* 21	80447041	HN447041	Grain tank auger 8055

\* The text in *italics* indicates part numbers that belongs to RHS of the image.

## NEW HOLLAND 8030



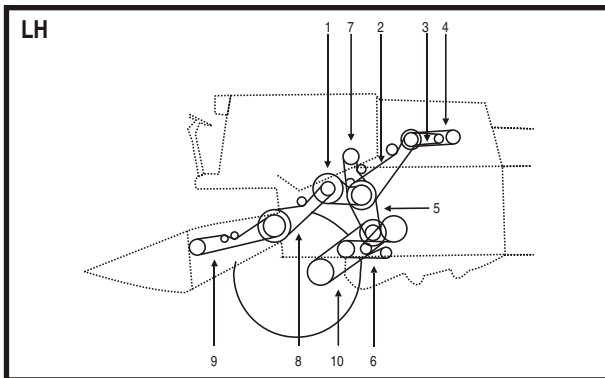
ITEM	OEM REF.	PIX REF.	DESCRIPTION
1	80395313		Chain grain tank
2	80443634	HN443634	Alternator & water pump
2	80444045	HN444045	Alternator & water pump
2	80443636	HN443636	Alternator & water pump
3	80393519	HN393519	Hydraulic pump
4	80422725	HN422725	Grain tank unloading
5	80116140		Chain tailings top auger
6	80336784	HN336784	Drum vari drive
7	80230057	HN230057	Fan vari drive
8	80395955	HN395955	Fan vari drive
9	80431784	HN431784	Straw walker drive
18	80450600	HN450600	Chain grain tank
20	80427456	HN427456	Rotary dust screen



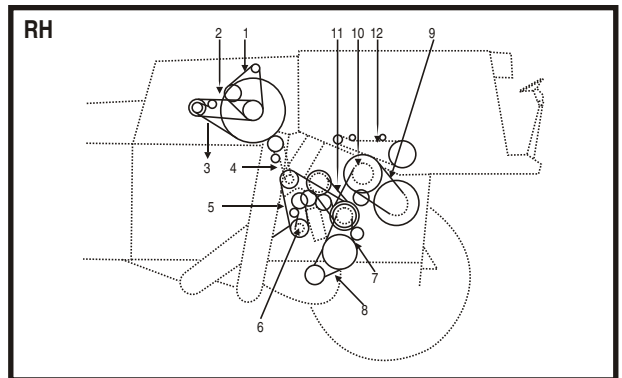
ITEM	OEM REF.	PIX REF.	DESCRIPTION
21	80427455	HN427455	Radiator fan drive
22	80422441	HN422441	Rotary dust screen
* 10	80422281	HN422281	Powerband main drive *Ford
* 10	80447031	HN447031	Powerband main drive *Merc
* 11	80356024	HN356024	Ground speed vari-drive
* 12	80116140		Chain tailings elevator
* 13	80422731	HN422731	Elevator drive
* 14	80356024	HN356024	Ground speed vari-drive
* 15	80387469	HN387469	Eccentric shaft drive
* 16	80066232	HN066232	2HC straw elevator drive
* 17	80330715	HN330715	Header drive
* 19	80427456	HN427456	Rotary dust screen drive

\* The text in *italics* indicates part numbers that belongs to RHS of the image.

## NEW HOLLAND 8050-8060



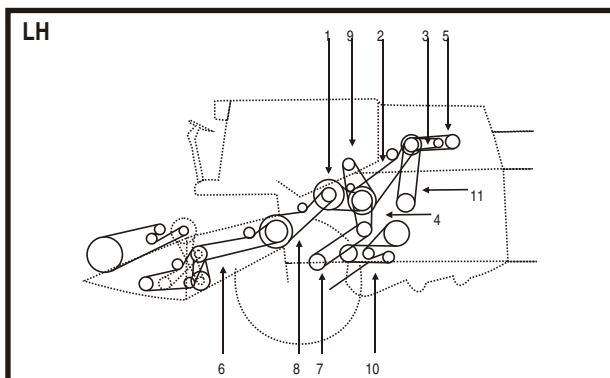
ITEM	OEM REF.	PIX REF.	DESCRIPTION
1	80451481	HN451481	Beater drive
2	80397297	HN397297	Drum variator
3	80230151	HN230151	Hydraulic pump
4	80389245	HN389245	Interim dust screen drive
5	80230076	HN230076	Ground speed-stdnd
5	80420606	HN420606	Ground speed-low speed
6	80605529	HN605529	Straw walker drive
7	80410896	HN410896	Intermediate shaft grain auger
8	80393326	HN393326	Straw elevator drive
9	80643353	HN643353	Knife drive 8050
9	80394426	HN394426	Knife drive 8060
10	80356024	HN356024	Ground speed vari-drive
* 1	80421173	HN421173	Alt. & water pump Eng.-Merc
* 1	81540767	HN540767	Alt.& Water pump Eng. Ford



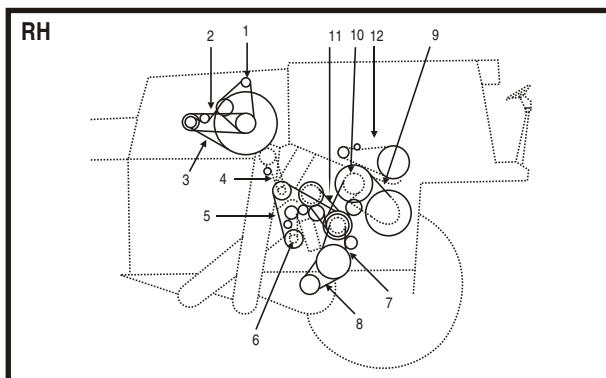
ITEM	OEM REF.	PIX REF.	DESCRIPTION
* 1	80432802	HN432802	Alt.& Water pump 8060 only
* 2	80399058	HN399058	Dust screen drive
* 3	80457643	HN457643	Rotary dust screen drive
* 4	80350418		Chain
* 5	80387469	HN387469	Top tailings auger drive
* 6	80395313	HN395313	Chain
* 7	80378989	HN378989	Fan drive
* 8	80388280	HN388280	Fan drive
* 9	80336784	HN336784	Drum vari-drive
* 10	80396750	HN396750	Set beater drive 8050
* 10	80437033	HN437033	Set beater drive 8060
* 11	80395955	HN395955	Intermediate shaft beater
* 12	80410962	HN410962	Chain

\* The text in *italics* indicates part numbers that belongs to RHS of the image.

## NEW HOLLAND 8070



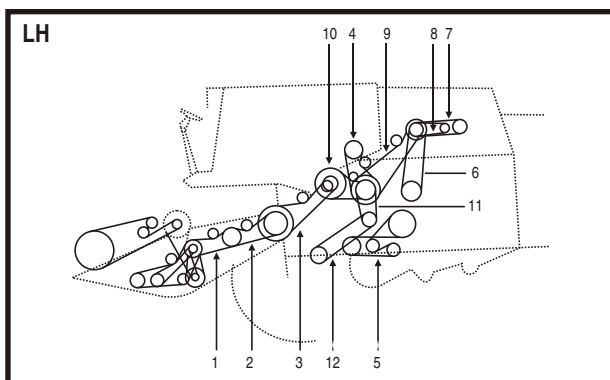
ITEM	OEM REF.	PIX REF.	DESCRIPTION
1	80451481	HN451481	Power band-rethresher
2	80391650	HN391650	Drum variator
3	80230151	HN230151	Hydraulic pump
4	80321559	HN321559	Ground speed-std
4	80417643	HN417643	Ground speed-low speed
5	80389245	HN389245	Intermediate drive shaft
6	80394426	HN394426	Header drive
7	80356025	HN356025	Ground speed vari-drive
8	80393326	HN393326	Straw elevator drive
9	80410896	HN410896	Intermediate shaft grain auger
10	80605529	HN605529	Straw walker drive
11	80411543	HN411543	Power band hydrostatic drive
* 1	80421173	HN421173	Alt. & water pump Merc engine



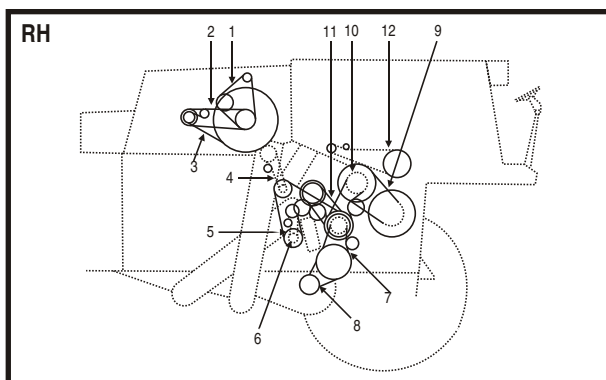
ITEM	OEM REF.	PIX REF.	DESCRIPTION
* 1	81540767	HN540767	Alt. & Water pump Ford engine
* 2	80384397	HN384397	Fan drive
* 3	80457643	HN457643	Rotary dust screen drive
* 4	80350418		Chain
* 5	80387469	HN387469	Top tailings auger drive
* 6	80395313		Chain
* 7	80378989	HN378989	Fan drive
* 8	80388280	HN388280	Fan drive
* 9	80336784	HN336784	Drum vari-drive
* 10	80396750	HN396750	Counter shaft drive
* 10	80437033	HN437033	Counter shaft drive (modi)
* 11	80395955	HN395955	Variator drive
* 12	80410962		Chain

\* The text in italics indicates part numbers that belongs to RHS of the image.

## NEW HOLLAND 8080



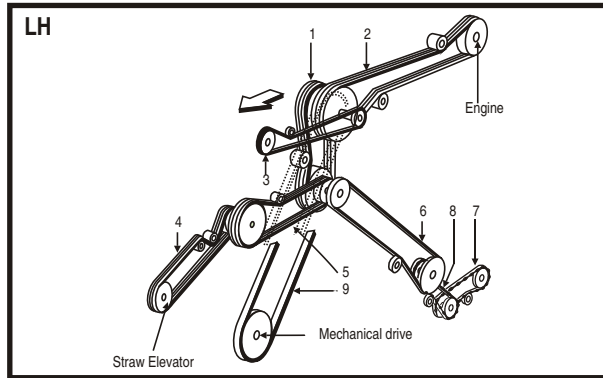
ITEM	OEM REF.	PIX REF.	DESCRIPTION
1	80387931	HN387931	Header drive
2	80391143	HN391143	Header drive
3	80393326	HN393326	Straw elevator drive
4	80410896	HN410896	Intermediate shaft
5	80605529	HN605529	Straw walker drive
6	80411543	HN411543	Power band hydrostatic drive
7	80389245	HN389245	Intermediate drive shaft
8	80230151	HN230151	Hydraulic pump
9	80391650	HN391650	Power band drum variator
10	80451481	HN451481	Power band re-thresher drive
11	80321559	HN321559	Ground speed **std speed
11	80417643	HN417643	Ground speed **low speed
12	80356025	HN356025	Ground speed
* 1	80393519	HN393519	Alternator drive Merc eng.



ITEM	OEM REF.	PIX REF.	DESCRIPTION
* 1	80432642	HN432642	Alternator drive Merc eng
* 2	80384397	HN384397	Fan drive
* 3	80457643	HN457643	Rotary dust screen
* 4	80350418		Chain grain elevator
* 5	80387469	HN387469	Tailings elevator
* 6	80395313		Chain-tailings elevator
* 7	80378989	HN378989	Fan vari-drive
* 8	80388280	HN388280	Fan vari-drive
* 9	80387460	HN387460	Drum vari-drive
* 10	80396750	HN396750	Counter shaft drive
* 10	80437033	HN437033	Counter shaft drive
* 11	80395955	HN395955	Variator drive
* 12	80410962	HN410962	Grain tank auger drive

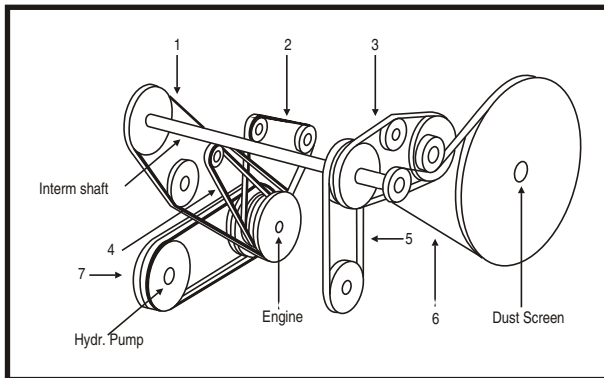
\* The text in italics indicates part numbers that belongs to RHS of the image.

## NEW HOLLAND TX30

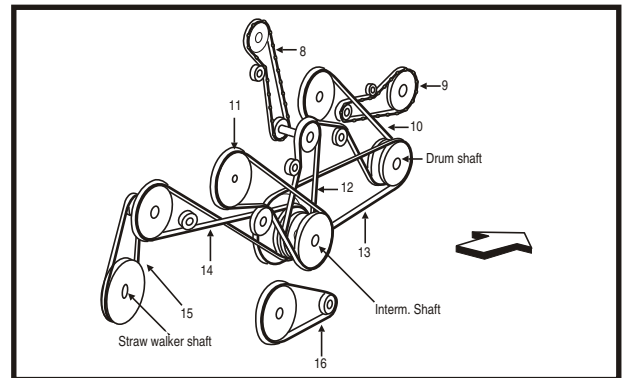


ITEM	OEM REF.	PIX REF.	DESCRIPTION
1	80455865	HN455865	Powerband-rethresher
2	80922872	HN922872	Engine to beater shaft (hydr)
2	80922911	HN922911	Engine to beater shaft (mech)
3	89512971	HN9512971	Unloading auger
4	80433746	HN433746	Straw elevator drive
4	89514989	HN9514989	2HB straw elevator
5	80350236	HN350236	3HB beater to straw elevator
6	80448794	HN448794	Cleaning shoe drive
7	80451356		Chain
8	84000317		Chain
9	80440780	HN440780	Ground speed variator

## NEW HOLLAND TX30RH



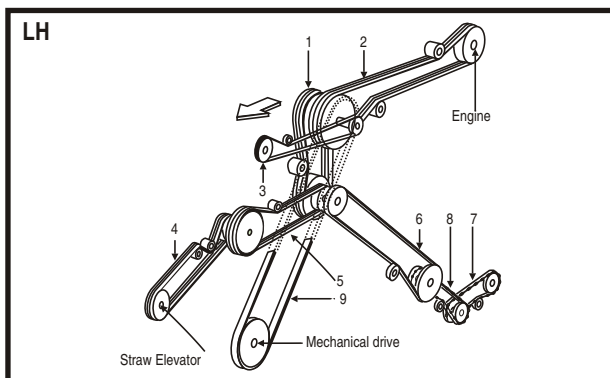
ITEM	OEM REF.	PIX REF.	DESCRIPTION
1	80913151	HN913151	Belt cooling fan
2	80443634	HN443634	Water pump drive
3	80913153	HN913153	Rotary dust screen drive
4	89501182	HN9501182	Alternator drive
4	80747177	HN747177	Alternator drive >8110999
5	89506748	HN9506748	Compressor drive
6	80923019	HN923019	Dust screen
7	89508558	HN9508558	Hyd. Pump



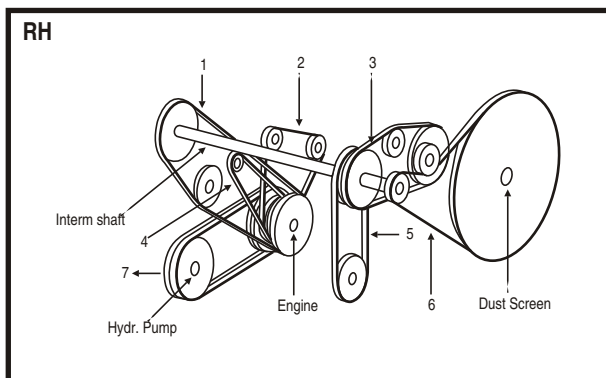
ITEM	OEM REF.	PIX REF.	DESCRIPTION
* 8	80321797		Chain
* 9	80267157		Chain
* 10	89513984	HN89513984	Beater drive
* 11	89817439	HN9817439	Rotary separator
* 12	84015852	HN84015852	Grain storage drive
* 13	89832601	HN9832601	Drum to intermediate shaft
* 14	80754389	HN754389	Straw walker shaft drive
* 15	80754388	HN754388	Straw walker drive
* 16	89502654	HN9502654	Cleaning fan vari drive

\* The text in *italics* indicates part numbers that belongs to RHS of the image.

## NEW HOLLAND TX32



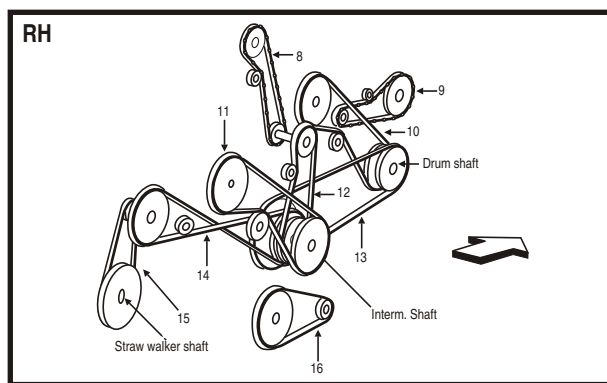
ITEM	OEM REF.	PIX REF.	DESCRIPTION
1	80455865	HN455865	Power band beater drive
2	80922911	HN922911	Power band engine
3	89512971	HN89512971	Unloading auger drive
4	80433746	HN433746	Straw elevator drive (>1799)
4	89514989	HN89514989	2HB straw elevator drive
5	80434222	HN434222	2HB beater to straw elevator
5	80350236	HN350236	3HB beater to straw elevator
6	80448794	HN448794	Cleaning shoe
6	80446780	HN446780	Cleaning shoe > 7703001
7	80451356		Chain
7	84000317		Chain
8	84000317		Chain
8	80451356		Chain



ITEM	OEM REF.	PIX REF.	DESCRIPTION
9	80440780	HN440780	Ground speed variator
10	80230164	HN230164	Ecentric shaft drive
* 1	80913151	HN913151	Cooling fan drive
* 2	80443634	HN443634	Water pump drive
* 3	80913153	HN913153	Rotary dust screen drive
* 3	89514311	HN89514311	Rotary dust screen drive
* 3	89817454	HN89817454	Rotary dust screen drive
* 4	89501182	HN89501182	Alternator drive
* 4	80747177	HN747177	Alternator drive >7717001
* 5	89506748	HN89506748	Compressor drive
* 6	80923019	HN923019	Dust screen
* 6	89817814	HN89817814	Dust screen >7720001
* 7	89508558	HN89508558	Hydraulic pump

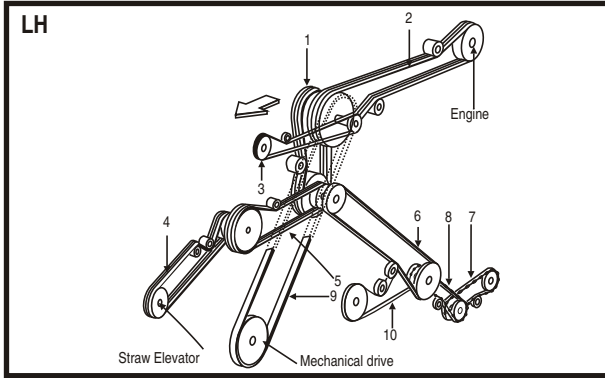
\* The text in *italics* indicates part numbers that belongs to RHS of the image.

## NEW HOLLAND TX32

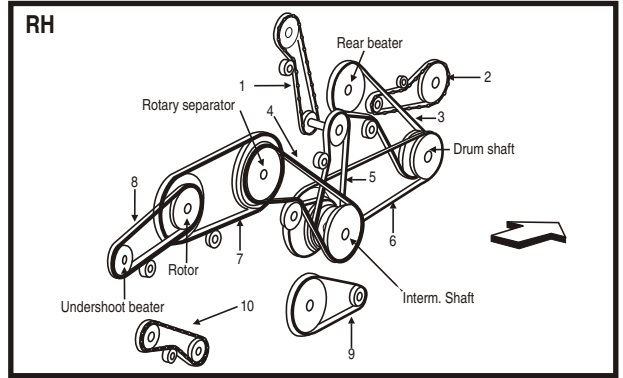


ITEM	OEM REF.	PIX REF.	DESCRIPTION
8	80321797		Chain
9	80267157		Chain
10	89513984	HN89513984	Beater drive
11	89817439	HN817439	Rotary separator drive
12	84015852	HN84015852	Grain tank drive
13	89832601	HN9832601	Drum to intermediate shaft
14	80754389	HN754389	Straw walker drive
15	80754388	HN754388	Straw walker drive
16	80439832	HN439832	Cleaning fan (self levelling)
16	89502654	HN89502654	Cleaning fan
16	80919739	HN80919739	Cleaning fan (fixed shoe)

## NEW HOLLAND TF42



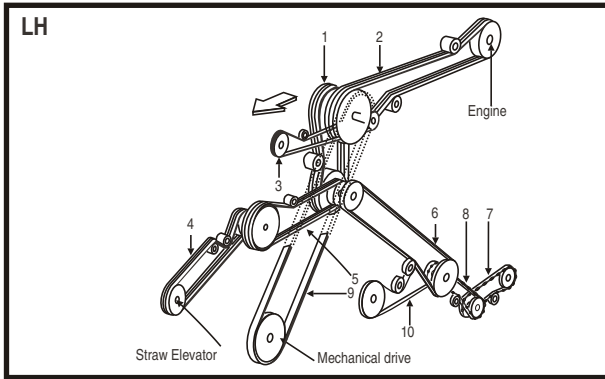
ITEM	OEM REF.	PIX REF.	DESCRIPTION
1	80455865	HN455865	Beater to interm drive
2	80750290	HN750290	4HB engine to beater shaft
2	80922911	HN922911	4HB engine to beater shaft
3	89512971	HN9512971	Unloading auger engaging
4	80433746	HN433746	2HB-straw elevator
4	89514990	HN9514990	2HB-straw elevator
5	80434222	HN434222	2HB-beater to straw elevator
5	80350236	HN350236	3HB-beater to straw elevator
5	80743877	HN743877	4HB-beater to straw elevator
6	80448794	HN448794	Cleaning shoe drive
7	80116140		Chain
8	80216820		Chain



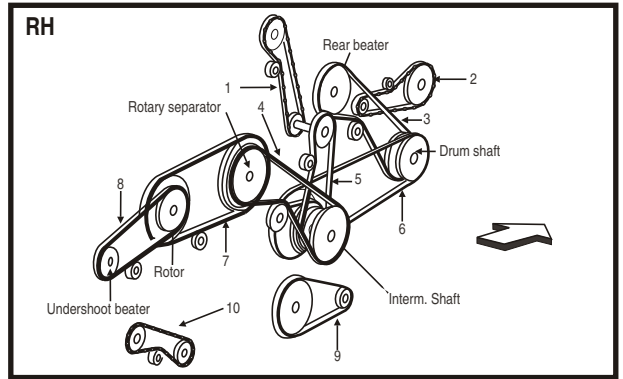
ITEM	OEM REF.	PIX REF.	DESCRIPTION
9	80440780	HN440780	Ground speed variator
* 1	80434154		Chain
* 2	80267157		Chain
* 3	89513984	HN9513984	Beater drive
* 4	80919681	HN919681	Rotary separator drive
* 5	84015852	HN4015852	Grain storage drive
* 6	89832601	HN9832601	Drum to interm shaft
* 7	80434046	HN434046	Rotary separator to rotor
* 8	80427456	HN427456	Rotor to undershot beater
* 9	89502654	HN9502654	Fan belt
* 10	80451356	HN451356	Chain

\* The text in *italics* indicates part numbers that belongs to RHS of the image.

## NEW HOLLAND TF44



ITEM	OEM REF.	PIX REF.	DESCRIPTION
1	80455865	HN455865	Beater to interm drive
2	80750290	HN750290	Engine to beater shaft
2	80922911	HN922911	4HB engine to beater shaft
3	89512971	HN9512971	Unloading auger engaging
4	80433746	HN433746	2HB-straw elevator
5	80434222	HN434222	2HB beater to straw elevator
5	80350236	HN350236	3HB beater to straw elevator
6	80448794	HN448794	Cleaning shoe drive
7	80116140		Chain
8	80451356		Chain

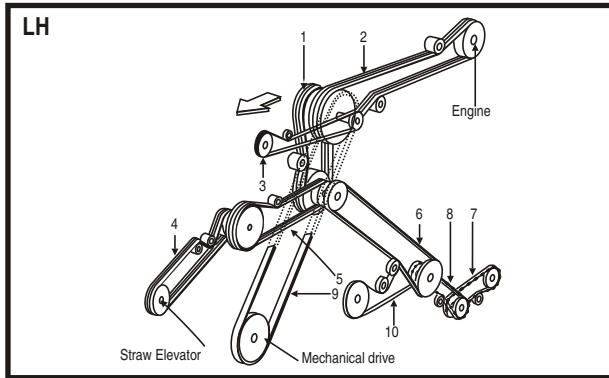


ITEM	OEM REF.	PIX REF.	DESCRIPTION
* 1	80434154		Chain
* 2	80267157		Chain
* 3	89513984	HN9513984	Beater drive
* 4	80919681	HN919681	Rotary separator drive
* 5	84015852	HN84015852	Grain storage drive
* 6	89832601	HN89832601	Drum to intermediate shaft
* 7	80434046	HN434046	Rotary separator to rotor
* 8	80427456	HN427456	Rotor to undershot beater
* 9	80439832	HN439832	Fan drive
* 10	80116140	HN80116140	Chain

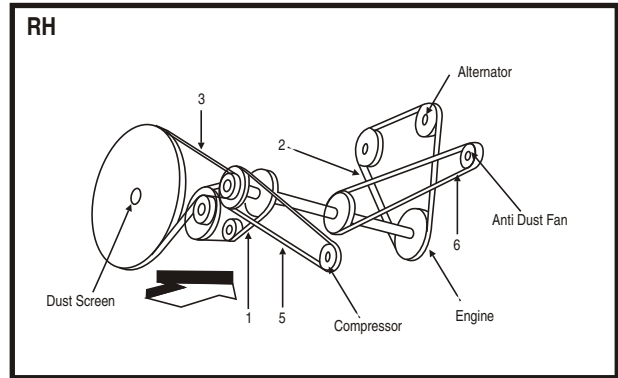
\* The text in *italics* indicates part numbers that belongs to RHS of the image.



## NEW HOLLAND TF46



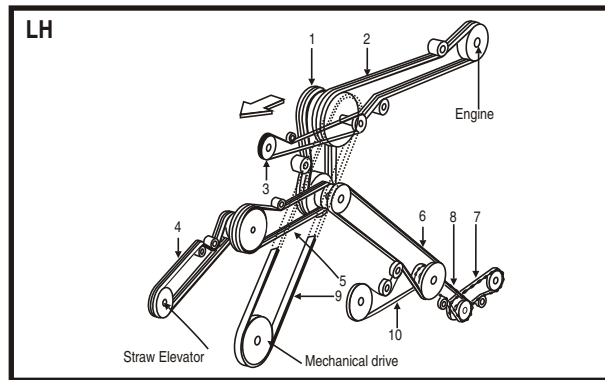
ITEM	OEM REF.	PIX REF.	DESCRIPTION
1	80750166	HN750166	Beater to intern drive
2	80750290	HN750290	Engine to beater shaft
2	80922911	HN922911	4HB engine to beater shaft
3	89512971	HN9512971	Unloading auger engaging
4	80433746	HN433746	2HB-straw elevator
5	80434222	HN434222	2HB beater to straw elevator
5	80350236	HN350236	3HB beater to straw elevator
6	80448794	HN448794	Cleaning shoe drive



ITEM	OEM REF.	PIX REF.	DESCRIPTION
7	80451356		Chain
8	80451356		Chain
* 1	80439496	HN439496	Cooling fan drive
* 2	80748003	HN748003	Water pump & alternator
* 3	80439495	HN439495	Rotary dust screen
* 5	80381237	HN381237	Compressor drive
* 6	80436304	HN436304	Dust screen

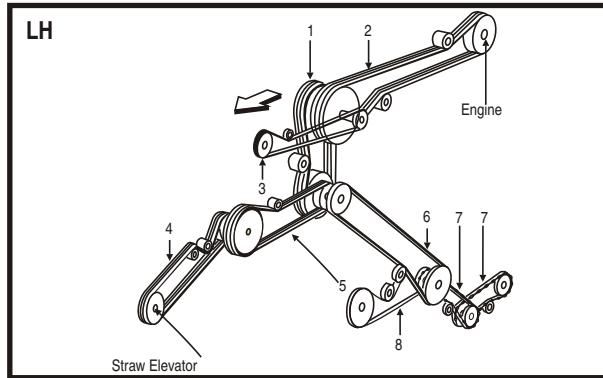
\* The text in italics indicates part numbers that belongs to RHS of the image.

## NEW HOLLAND TX34



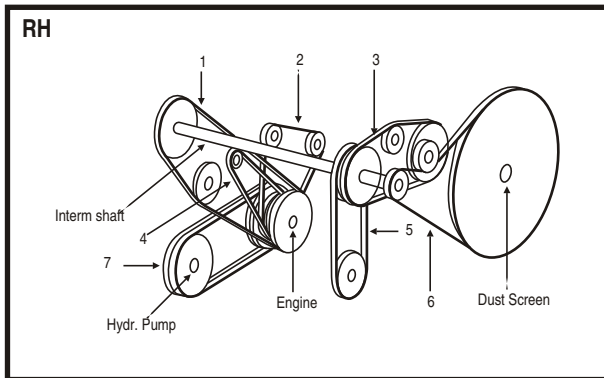
ITEM	OEM REF.	PIX REF.	DESCRIPTION
1	80455865	HN455865	Beater to intermediate shaft
2	80922911	HN922911	Engine to beater shaft
2	89831571	HN9831571	4HB Engine to beater shaft
3	89512971	HN9512971	Unloading auger engaging
4	80433746	HN433746	2HB straw elevator drive
4	89504547	HN9504547	2HB straw ele drv - lateral floatation
4	89513386	HN9513386	3HB straw elevator drive
5	80434222	HN434222	2HB beater to straw elevator
5	80350236	HN350236	3HB beater to straw elevator
6	80448794	HN448794	Cleaning shoe (self level)
6	80446780	HN446780	Cleaning shoe (fixed shoe)
7	80451356		Chain
8	84000317		Chain
9	80440780	HN440780	Ground speed variator
10	80230164	HN230164	Eccentric shaft drive

## NEW HOLLAND TX36

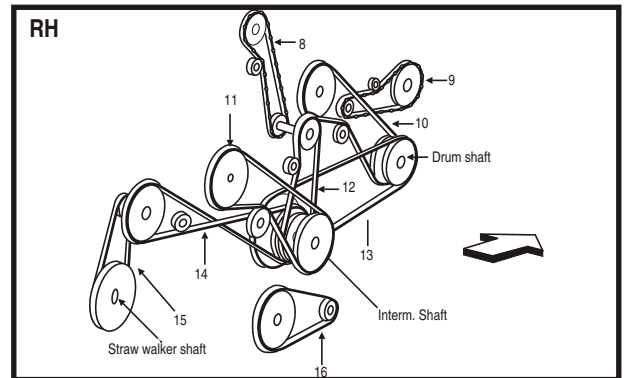


ITEM	OEM REF.	PIX REF.	DESCRIPTION
1	80455865	HN455865	Beater to intermediate shaft
2	80922911	HN922911	Engine to beater shaft
2	89831571	HN9831571	4HB engine to beater shaft
3	89512971	HN9512971	Unloading auger engaging
4	80433746	HN433746	2HB straw elevator drive
4	89504547	HN9504547	2HB straw elevator drive
5	80434222	HN434222	2HB beater to straw elevator
5	80350236	HN350236	3HB beater to straw elevator
6	80448794	HN448794	Cleaning shoe drive
7	80451356	HN451356	Chain
8	80230164	HN230164	Eccentric shaft drive

## NEW HOLLAND TX36



ITEM	OEM REF.	PIX REF.	DESCRIPTION
1	80913151	HN913151	Cooling fan drive
2	80443634	HN443634	Water pump drive
3	80913153	HN913153	Rotary dust screen drive
3	89817959	HN9817959	Rotary dust screen drive
4	89501182	HN9501182	Belt alternator drive
4	80747177	HN747177	Belt alternator drive
5	89506748	HN9506748	Belt compressor drive
6	80923019	HN923019	Belt dust screen
7	89508557	HN9508557	Belt set hyd pump to engine

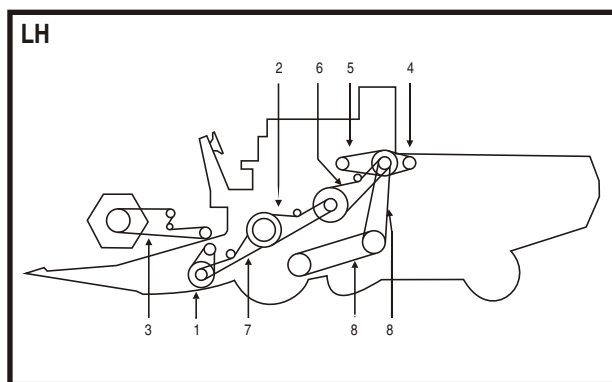


ITEM	OEM REF.	PIX REF.	DESCRIPTION
* 8	80434154		Chain
* 9	80267157		Chain
* 10	89513984	HN9513984	Beater drive
* 11	89817439	HN9817439	Rotary separator drive
* 12	84015852	HN4015852	Grain storage drive
* 13	89832601	HN9832601	Drum to intermediate shaft
* 14	80754389	HN754389	Straw walker interm drive
* 15	80754388	HN754388	Straw walker drive
* 16	89502654	HN9502654	Cleaning fan vari-drive

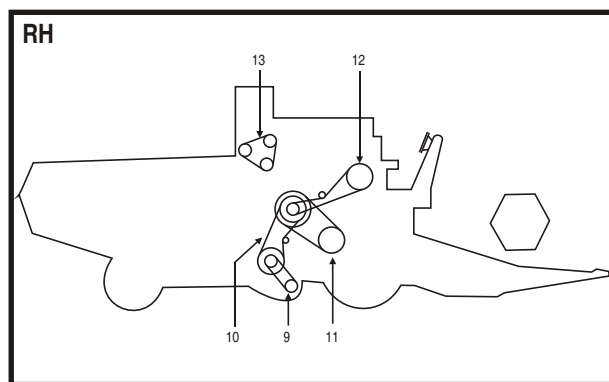
\* The text in *italics* indicates part numbers that belongs to RHS of the image.

## NEW REFERENCES

ITEM	OEM REF.	PIX REF.	Description
1	80923019	HN80923019	Dust Screen Drive (alt) TX 32 - 36
2	9817814	HN89817814	Dust Screen Drive (alt) TX 32 - 36
3	9818830	HN89818830	Dust Screen Drive TX 66 - 68
4	84015852	HN84015852	"Bubble Up" Box Drive TX 62 - 67
5	80913151	HN80913151	Cooling Fan Drive TX 32 - 36
6	80754389	HN80754389	Straw Walker Intermediate Drive TX range
7	89513984	HN89513984	Beater Drive TX range
8	9850770	HN89850770	Rotary Separator Drive TX 62 - 68
9	84015531	HN84015531	Rotary Separator Drive TX 62 - 67
10	89817439	HN89817439	Rotary Screen TX 32
11	9514989	HN89514989	Straw Elevator Drive TX 32 - 36
12	80434222	HN80434222	Beater to Front Elevator TF and TX range
13	80443634	HN80443634	Water Pump Drive TX Range with Ford Engine
14	80913153	HN80913153	Rotary Screen Drive TX 32 - 36
15	9501182	HN89501182	Alternator Drive (alt) TX 32
16	89501182	HN89501182	Alternator Drive (alt) TX 32
17	80747177	HN80747177	Alternator Drive (alt) TX 32
18	754165	HN80754165	Compressor Drive Tx34
19	9831515	HN89831515	Cooling Fan Drive TC range
20	84078581	HN84078581	Drum Drive TF & TX ranges
21	9833619	HN89833619	Rotary Screen Drive TX 62
22	84041518	HN84041518	Rotary Screen Drive TX 67
23	9514311	HN89514311	Rotary Screen Drive TX 64 - 65 and some TX 32
24	919739	HN80919739	Cleaning Fan Drive TX 32 - 36
25	840 23278	HN84023278	Fan Variator Drive (alt) TX range
26	840 23277	HN84023277	Fan Variator Drive (alt) TX range
27	950 2654	HN89502654	Fan Variator Drive (alt) TX range
28	84036070	HN84036070	R H Drives TX 67



ITEM	OEM REF.	PIX REF.	DESCRIPTION
1	Z41178	HJZ41178	Reel drive
2	Z20460	HJZ20460	Straw elevator
3	Z20562	HJZ20562	Pick up reel drive
4	Z21171	HJZ21171	Hydraulic pump
5	Z21400	HJZ21400	Tank discharge auger
6	Z31191	HJZ31191	Thresher drum drive
7	Z23693	HJZ23693	Sickle knife drive

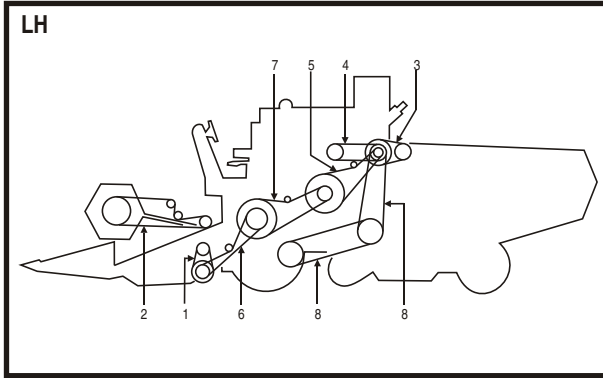


ITEM	OEM REF.	PIX REF.	DESCRIPTION
8	Z36120	HJZ36120	Wheel land drive
* 9	Z41178	HJZ41178	Fan variator
* 10	Z20703	HJZ20703	Fan drive
* 11	Z20823	HJZ20823	Thresher drum
* 12	Z20743	HJZ20743	Tailings auger drive
* 13	T23505	HJT23505	Fan drive water pump

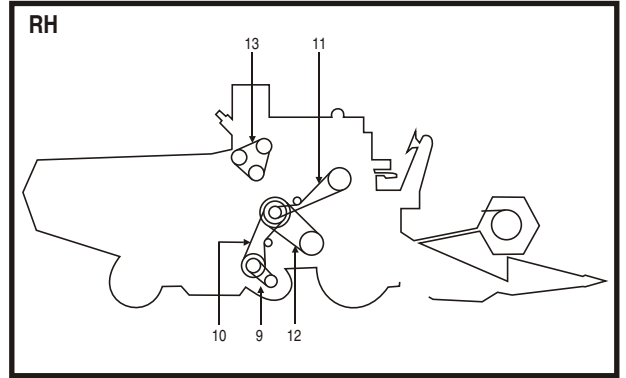
\* The text in *italics* indicates part numbers that belongs to RHS of the image.

## JOHN DEERE 330-430

## JOHN DEERE 530-630-730



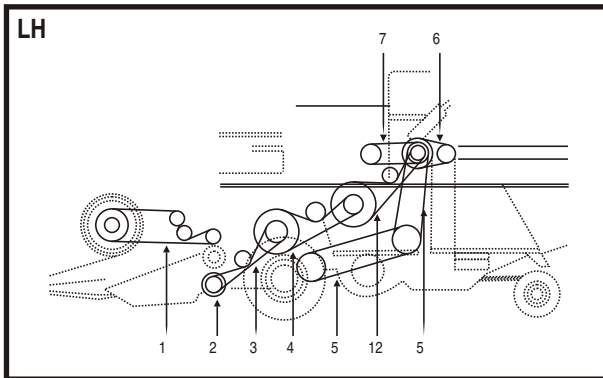
ITEM	OEM REF.	PIX REF.	DESCRIPTION
1	Z20459	HJZ20459	Reel drive
2	Z20562	HJZ20562	Reel drive
3	Z21254	HJZ21254	Hydraulic pump 630-730
3	Z21171	HJZ21171	Hydraulic pump 530
4	Z21400	HJZ21400	Tank discharge auger 630-730
4	Z21398	HJZ21398	Tank discharge 530
5	Z21403	HJZ21403	Rear beater drive
6	Z21500	HJZ21500	Knife drive



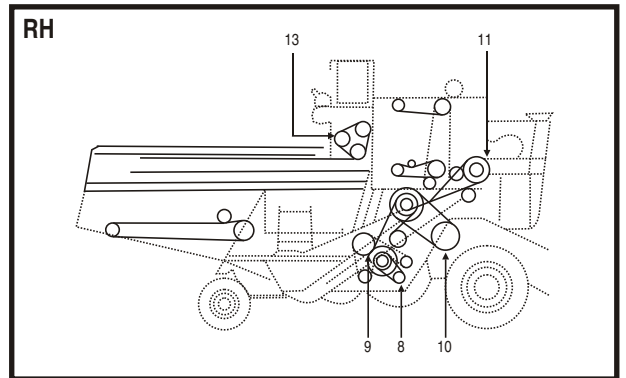
ITEM	OEM REF.	PIX REF.	DESCRIPTION
6	Z25670	HJZ25670	Knife drive
7	Z21501	HJZ21501	Cutter unit drive
8	P40058	HJP40058	Wheel drive
* 9	Z20459	HJZ20459	Air fan
* 10	Z20703	HJZ20703	Rear beater straw walker
* 11	Z20743	HJZ20743	Tailings auger
* 12	Z20823	HJZ20823	Threshing drum
* 13	T23505	HJT23505	Fan drive water pump

\* The text in *italics* indicates part numbers that belongs to RHS of the image.

## JOHN DEERE 925



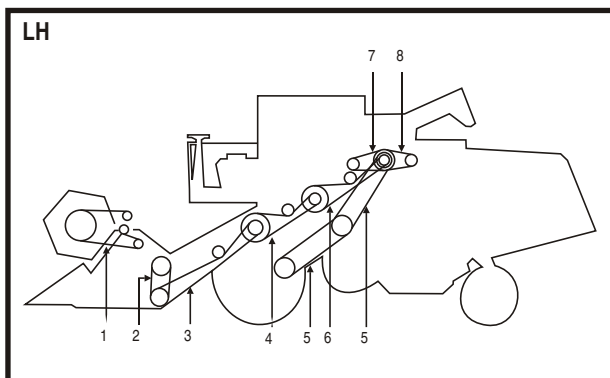
ITEM	OEM REF.	PIX REF.	DESCRIPTION
1	Z20562	HJZ20562	Reel drive
2	Z36813	HJZ36813	Reel variator drive
3	Z23693	HJZ23693	Knife drive
4	Z20460	HJZ20460	Straw elevator
5	Z36120	HJZ36120	Traction vari drive
6	Z30593	HJZ30593	Hydraulic pump
7	Z21400	HJZ21400	Tank discharge



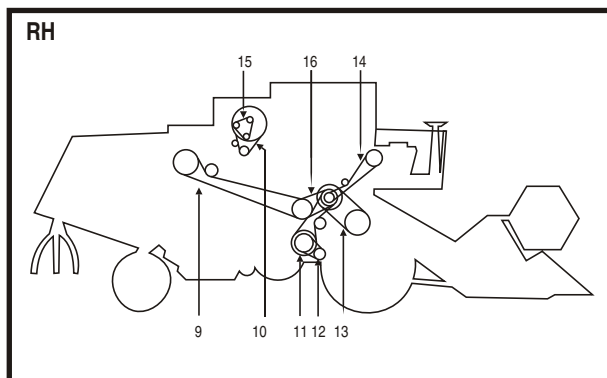
ITEM	OEM REF.	PIX REF.	DESCRIPTION
* 8	Z20459	HJZ20459	Air fan
* 9	Z20703	HJZ20703	Fan drive
* 11	Z20743	HJZ20743	Rotary screen
* 13	T20334	HJT20334	Fan drive

\* The text in *italics* indicates part numbers that belongs to RHS of the image.

## JOHN DEERE 930-940



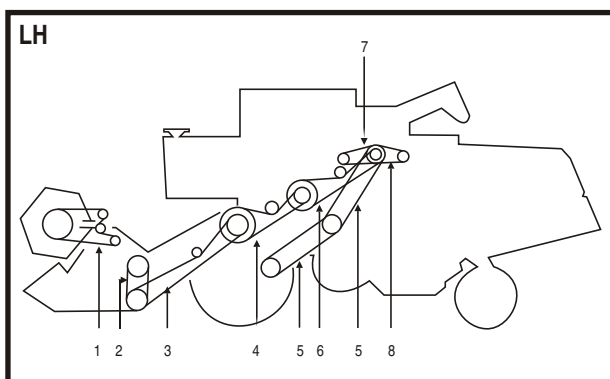
ITEM	OEM REF.	PIX REF.	DESCRIPTION
1	Z20562	HJZ20562	Reel drive
2	Z20459	HJZ20459	Reel variator drive
3	Z23693	HJZ23693	Knife drive
4	Z31816	HJZ31816	Straw elevator
5	Z31367	HJZ31367	Traction vari drive
6	Z31191	HJZ31191	Threshing drum
7	Z21400	HJZ21400	Tank discharge
8	Z30593	HJZ30593	Hydraulic pump



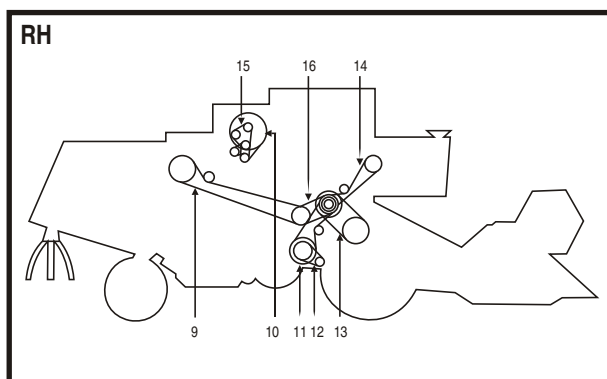
ITEM	OEM REF.	PIX REF.	DESCRIPTION
* 9	Z25473	HJZ25473	Straw walker
* 10	Z31283	HJZ31283	Purify drive
* 11	Z20703	HJZ20703	Fan drive
* 12	Z20459	HJZ20459	Fan vari drive
* 13	Z20823	HJZ20823	Cylinder vari drive
* 14	Z28458	HJZ28458	Rotary screen
* 15	T20334	HJT20334	Water pump
* 16	Z30920	HJZ30920	Straw walker
* N/I	Z21403	HJZ21403	Main drive
* N/I	Z20743	HJZ20743	Tailings auger

\* The text in *italics* indicates part numbers that belongs to RHS of the image.

## JOHN DEERE 950-960-970



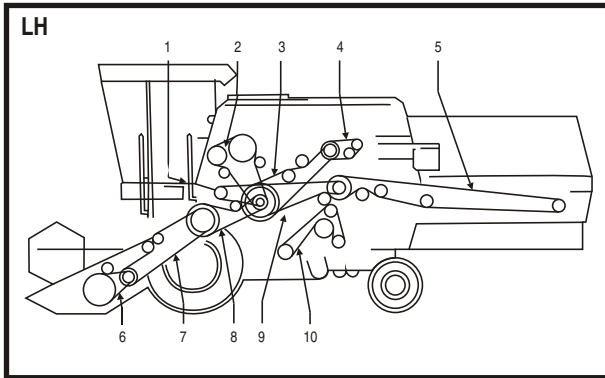
ITEM	OEM REF.	PIX REF.	DESCRIPTION
1	Z20562	HJZ20562	Reel drive
2	Z20459	HJZ20459	Reel variator drive
3	Z30130	HJZ30130	Knife drive
4	Z21501	HJZ21501	Straw elevator
5	P40058	HJP40058	Traction vari drive
6	Z29962	HJZ29962	Threshing drum
7	Z21400	HJZ21400	Tank discharge
8	Z30593	HJZ30593	Hydraulic pump



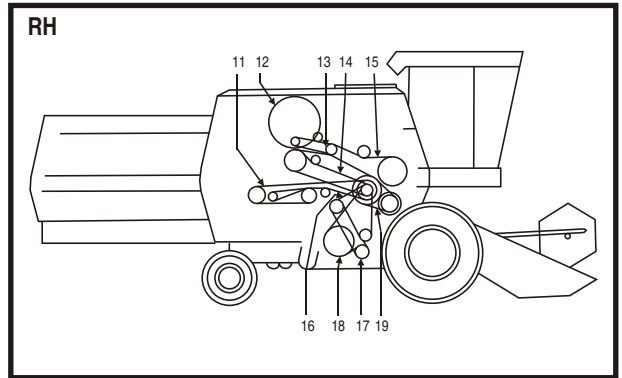
ITEM	OEM REF.	PIX REF.	DESCRIPTION
* 9	Z30920	HJZ30920	Straw walker
* 10	Z31283	HJZ31283	Purify drive
* 11	Z20703	HJZ20703	Fan drive
* 12	Z20459	HJZ20459	Fan vari drive
* 13	Z20823	HJZ20823	Cylinder vari drive
* 14	Z28458	HJZ28458	Rotary screen
* 15	T20334	HJT20334	Water pump
* 16	Z25473	HJZ25473	Straw walker

\* The text in *italics* indicates part numbers that belongs to RHS of the image.

## MASSEY FERGUSON 24



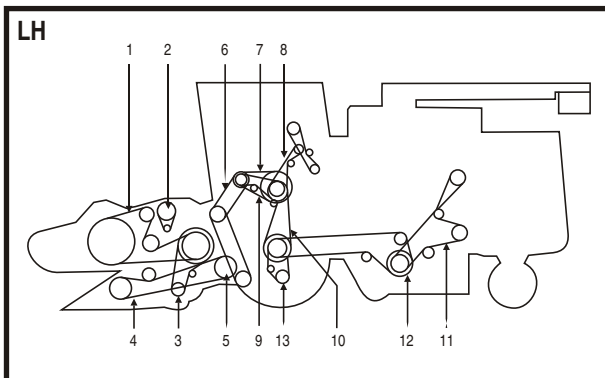
ITEM	OEM REF.	PIX REF.	DESCRIPTION
1	D41964300	HMD41964300	Returns auger (set 2)
2	D41972100	HMD41972100	Counter shaft
3	D41991600	HMD41991600	Selector drive
4	D41991400	HMD41991400	Hyd. Pump
5	D41958500	HMD41958500	Straw Chopper
6	D41929400	HMD41929400	Feed auger
7	D41989100	HMD41989100	Feed elevator
8	D41988900	HMD41988900	Upper feed shaft
9	D41955900	HMD41955900	Straw chopper
10	D41972800	HMD41972800	Eccentric shaft



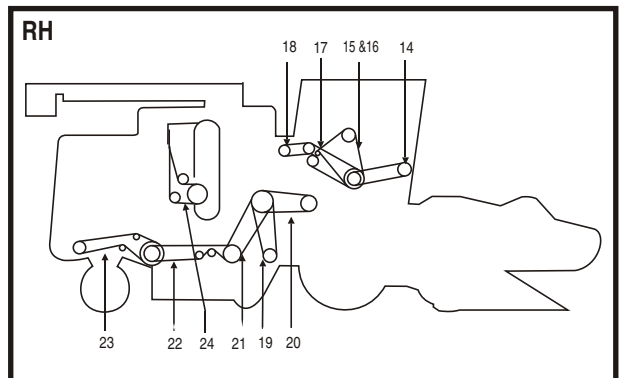
ITEM	OEM REF.	PIX REF.	DESCRIPTION
* 11	D41978500	HMD41978500	Awner shaft
* 12	D41912300	HMD41912300	Rotary screen
* 13	D41927800	HMD41927800	Intermediate shaft
* 14	D41935700	HMD41935700	Grain elevator
* 15	D41988700	HMD41988700	Discharge auger
* 16	D41926300	HMD41926300	Fan variator
* 17	D41930300	HMD41930300	Main fan drive
* 18	D41935500	HMD41935500	Eccentric shaft
* 19	D41980800	HMD41980800	Threshing drum

\* The text in *italics* indicates part numbers that belongs to RHS of the image.

## MASSEY FERGUSON 760/765/780/860/865



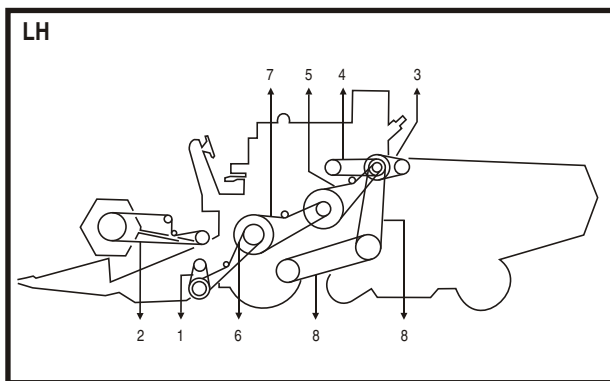
ITEM	OEM REF.	PIX REF.	DESCRIPTION
1	834140M1	HM834140	Reel drive
2	8333768M1	HM833768	Reel variator drive
3	834139M1	HM834139	Reel drive
4	834058M1	HM834058	Wobble box
4	842809M1	HM842809	Wobble box
5	833566M1	HM833566	Hydro traction X2
6	833858M2	HM833858	Traction Drive X2
7	833374M1	HM833374	Main drive
8	833867M1	HM833867	Intake air
9	833862M1	HM833862	Discharge/collector
10	274015M91	HM274015	Fan drive
11	833860M1	HM833860	Straw walker X2
12	273757M91	HM273757	Shaker shoe
13	833863M1	HM833863	Fanning mill
13	842419M1	HM842419	Fanning mill



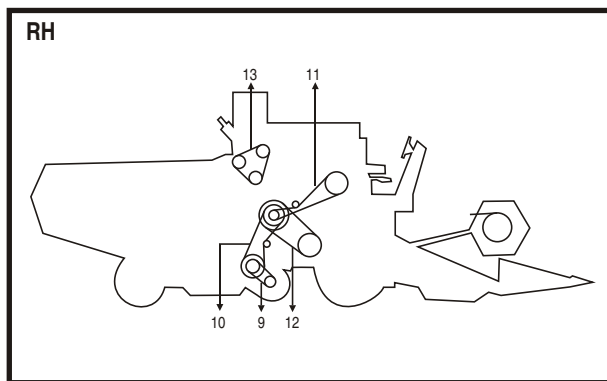
ITEM	OEM REF.	PIX REF.	DESCRIPTION
* 14	222882M2	HM222882	Hydraulic pump
* 14	842413M1	HM842413	Hydraulic pump
* 15	274252M91	HM274252	Generator drive
* 16	273837M91	HM273837	Generator drive
* 17	274339M91	HM274339	Fan drive
* 17	833870M1	HM833870	Fan drive
* 18	843045M1	HM843045	Air conditioning
* 19	842845M1	HM842845	Hydrostat reel
* 20	833868M2	HM833868	Cylinder vari drive
* 21	833871M1	HM833871	Straw chopper
* 22	832866M2	HM832866	Chopper drive
* 23	833872M1	HM833872	Chopper final drive
* 24	833854M2	HM833854	Returns elevator

\* The text in *italics* indicates part numbers that belongs to RHS of the image.

## LAVERDA M100M120



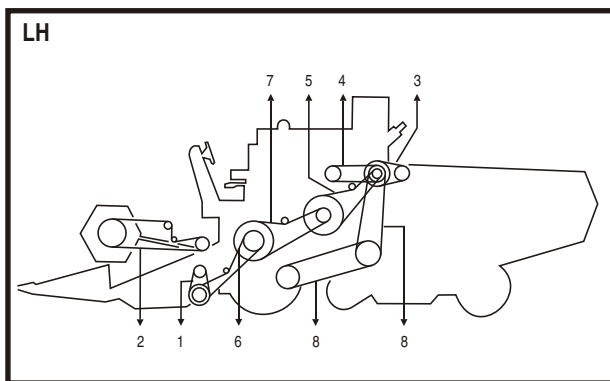
ITEM	OEM REF.	PIX REF.	DESCRIPTION
1	432232	HL432232	Hyd pump
2	432250	HL432250	Fan drive
3	432433	HL432433	Grain & tailings auger
4	432436	HL432436	De-awner paddle drive
5	432437	HL432437	De-awner beater drive
6	433435	HL433435	Reel drive M120
	433430	HL433430	Reel drive M100
	433430	HL433430	Straw walker M120
	433531	HL433531	Upper elevator drive M120



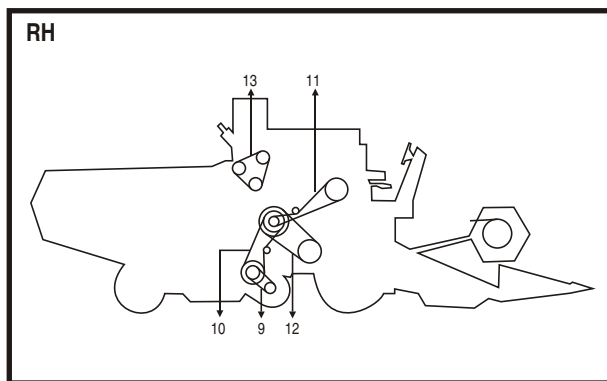
ITEM	OEM REF.	PIX REF.	DESCRIPTION
7	433430	HL433430	Central return drive M100
8	433537	HL433537	Central return drive M120
9	434140	HL434140	Reel variator speed M120
10	434250	HL434250	Threshing drive M120
* 11	435127	HL435127	Traction drive
	432244	HL432244	Grain tank discharge drive
	435117	HL435117	Beater drum drive
	007108	007108	Alternator/water pump

\* The text in *italics* indicates part numbers that belongs to RHS of the image.

## LAVERDA 3350 ex. m 112a1



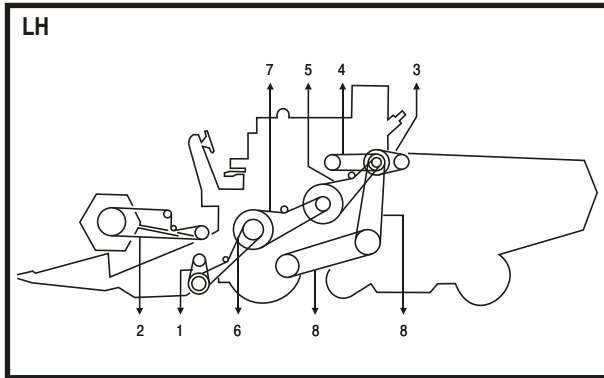
ITEM	OEM REF.	PIX REF.	DESCRIPTION
1	433182	HL433182	Fan
2	433531	HL433531	Feed elevator
3	431122	HL431122	Threshing drive
4	433417	HL433417	Grain tank discharge
5	432244	HL432244	Hyd pump
6	311212	HL311212	Hyd pump
	433289	HL433289	Corn elevator
	433455	HL433455	Straw walker
	433537	HL433537	Main drive
	433410	HL433410	Main feed



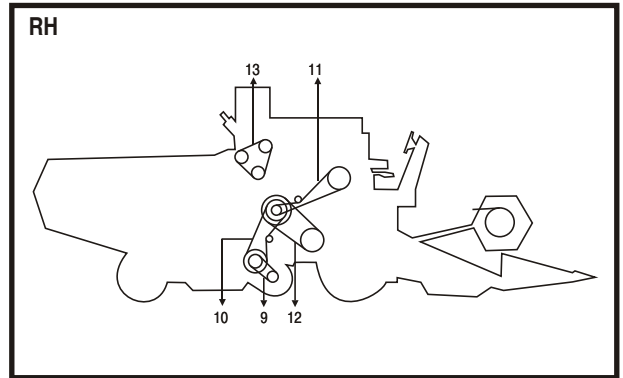
ITEM	OEM REF.	PIX REF.	DESCRIPTION
7	433409	HL433409	Main feed primary
8	433430	HL433430	Grain shaker
9	433236	HL433236	
10	433456	HL433456	De awning return
* 11	433134	HL433134	Rotary filter secondary
	433162	HL433162	Rotary filter primary
	435146	HL435146	
	434140	HL434140	Reel variator
	433456	HL433456	Reel drive

\* The text in *italics* indicates part numbers that belongs to RHS of the image.

## LAVERDA M132



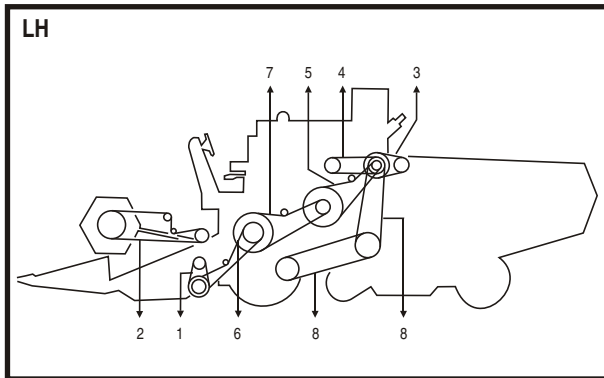
ITEM	OEM REF.	PIX REF.	DESCRIPTION
1	433435	HL433435	Reel drive
2	433316	HL433316	Reel drive 1978
3	434140	HL434140	Reel variator speed
4	434138	HL434138	Reel variator speed 1978
5	433182	HL433182	Fan
6	433531	HL433531	Upper shaft elevator drive
	431122	HL431122	Threshing drive
	4311316	HL4311316	Threshing drive 1978
	433417	HL433417	Grain tank discharge
	432243	HL432243	Hyd pump
	432244	HL432244	Hyd pump
	435127	HL435127	Traction drive



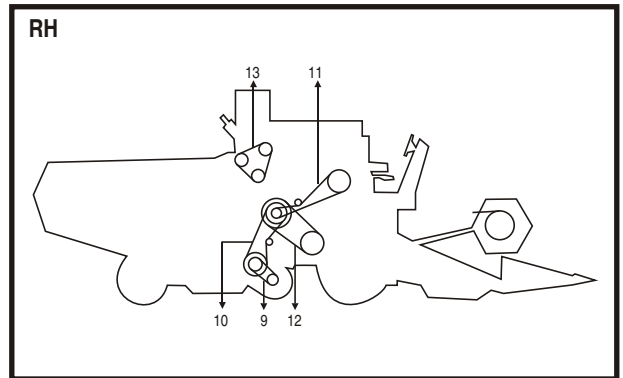
ITEM	OEM REF.	PIX REF.	DESCRIPTION
7	433537	HL433537	Central return drive
8	433289	HL433289	Grain tank fan
9	433455	HL433455	Straw walker
10	433430	HL433430	Grain&tailings auger
* 11	433409	HL433409	Fan drive
	433418	HL433418	Fan drive 1978
	433410	HL433410	Fan drive
	433236	HL433236	Selector auger
	433456	HL433456	De awning returns
	433134	HL433134	Rotary filter returns
	433162	HL433162	Rotary filter returns
	435125	HL435125	Cylinder variator

\* The text in *italics* indicates part numbers that belongs to RHS of the image.

## LAVERDA 3350 exm112



ITEM	OEM REF.	PIX REF.	DESCRIPTION
1	434138	HL434138	Reel variator
2	434140	HL434140	Reel variator
3	433182	HL433182	Fan variator
4	431122	HL431122	Drum variator
5	433418	HL433418	Conveyor
6	311222	HL311222	Threshing drive
	433417	HL433417	Grain tank discharge
	435127	HL435127	Traction drive
	432243	HL432243	Oil pump
	433244	HL433244	Hyd pump
	433537	HL433537	Central return
	433289	HL433289	Grain elevator

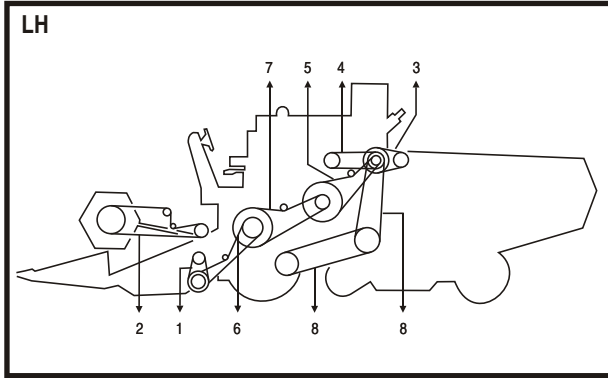


ITEM	OEM REF.	PIX REF.	DESCRIPTION
7	433455	HL433455	Straw walker
8	433430	HL433430	Grain tailings elevator
9	433409	HL433409	Fan regulator drive
10	433410	HL433410	Fan drive
* 11	433531	HL433531	Elevator drive
	433316	HL433316	Reel drive
	433435	HL433435	Reel drive
	433456	HL433456	De-awning return
	433236	HL433236	Selector auger
	433134	HL433134	Rotary filter
	433162	HL433162	Rotary filter primary
	351146	HL351146	Drum variator

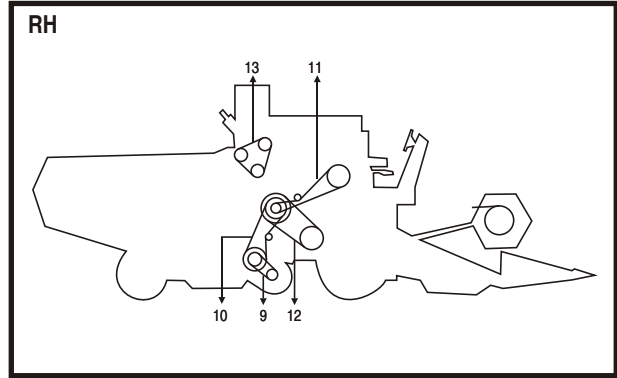
\* The text in *italics* indicates part numbers that belongs to RHS of the image.



## LAVERDA 3450



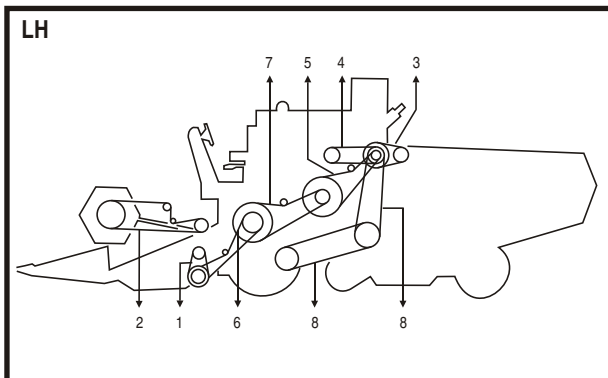
ITEM	OEM REF.	PIX REF.	DESCRIPTION
1	433316	HL433316	Reel drive
2	433435	HL433435	Reel drive
3	434138	HL434138	Reel variator
4	434140	HL434140	Reel variator
5	433182	HL433182	Fan
6	433531	HL433531	Elevator
	431122	HL431122	Threshing drive
	311316	HL311316	Threshing drive 1978
	433417	HL433417	Grain tank discharge
	432243	HL432243	Hyd pump
	432244	HL432244	Hyd pump
	435127	HL435127	Variator drive



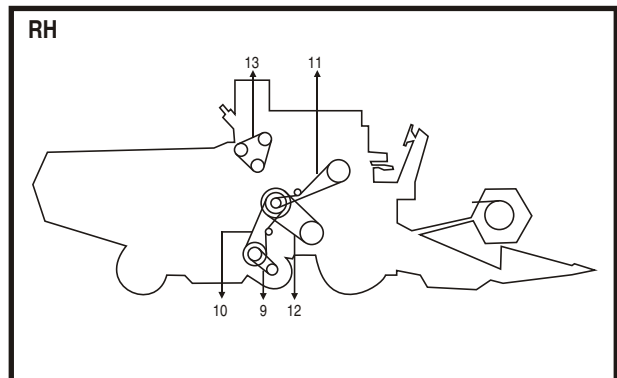
ITEM	OEM REF.	PIX REF.	DESCRIPTION
7	433537	HL433537	Variator drive
8	433289	HL433289	Fan
9	433455	HL433455	Straw walker
10	433430	HL433430	Grain & tailings
* 11	433409	HL433409	Main feed
	433410	HL433410	Main feed secondary
	433418	HL433418	Conveyor
	433236	HL433236	
	433456	HL433456	De awning return
	433134	HL433134	Rotary filter return
	433162	HL433162	Rotary filter return primary
	435125	HL435125	Drum drive

\* The text in *italics* indicates part numbers that belongs to RHS of the image.

## LAVERDA 3300/3300a1

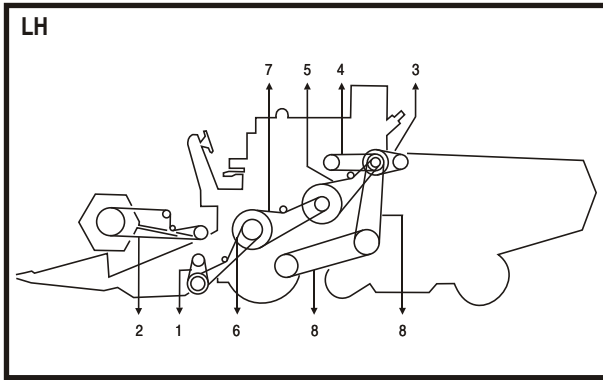


ITEM	OEM REF.	PIX REF.	DESCRIPTION
1	433458	HL433458	Reel drive
2	311217	HL311217	Thresher drive
3	433252	HL433252	
4	433239	HL433239	Hyd pump
5	311212	HL311212	Drive variator
6	433412	HL433412	

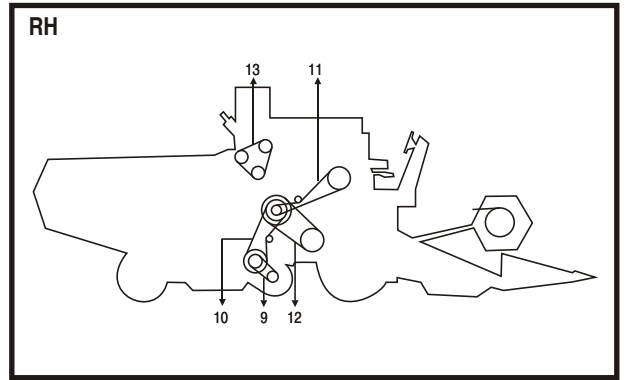


ITEM	OEM REF.	PIX REF.	DESCRIPTION
7	433970	HL433970	Straw walker/sieve drive
8	433283	HL433283	
9	433432	HL433432	Elevator
10	435138	HL435138	Drum drive
* 11	433176	HL433176	Fan
	433188	HL433188	Fan drive

## LAVERDA 3600/3700/3790



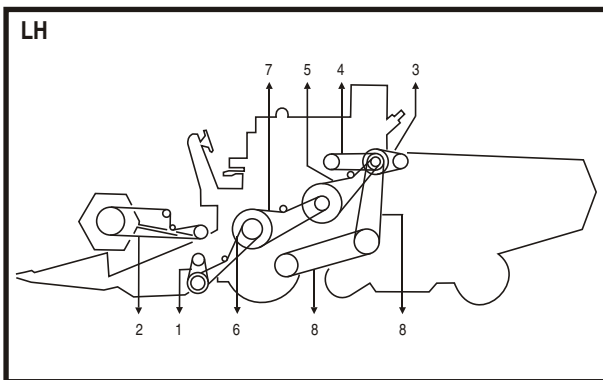
ITEM	OEM REF.	PIX REF.	DESCRIPTION
1	311127	HL311127	Feed elevator not 3790
2	433983	HL433983	Feed elevator not 3790
3	435130	HL435130	Drum variator
4	433424	HL433424	Fan
5	311134	HL311134	Grain shaker
6	433458	HL433458	Straw walker
	311217	HL311217	Hyd pump
	432243	HL432243	Oil pump
	433129	HL433129	Compressor drive



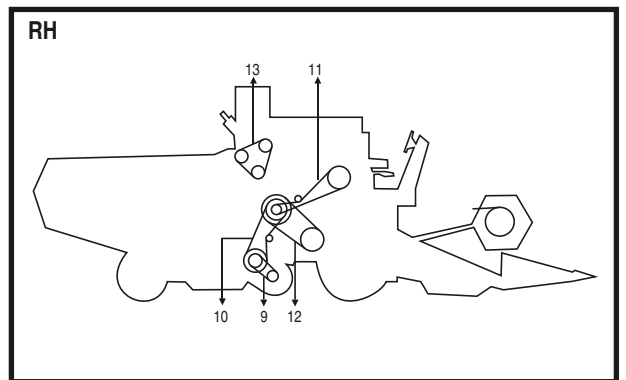
ITEM	OEM REF.	PIX REF.	DESCRIPTION
7	433467	HL433467	Shaker shoe
8	433540	HL433540	Drive
9	311318	HL311318	Drum variator
10	434138	HL434138	Reel variator
* 11	433418	HL433418	Auger drive
	433144	HL433144	Rotary filter secondary
	433184	HL433184	Rotary filter primary
	435124	HL435124	Drum variator

\* The text in *italics* indicates part numbers that belongs to RHS of the image.

## LAVERDA 3900



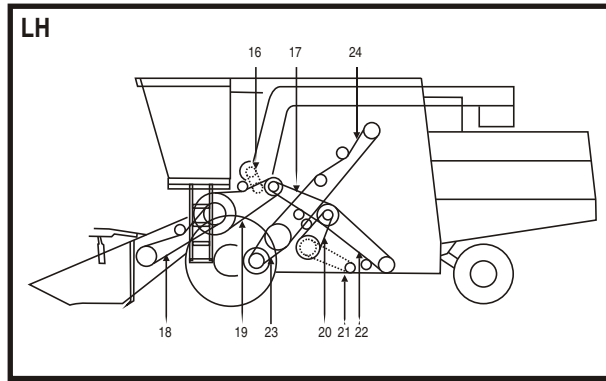
ITEM	OEM REF.	PIX REF.	DESCRIPTION
1	434138	HL434138	Reel variator
2	311418	HL311418	Drum drive
3	433038	HL433038	Compressor
4	311314	HL311314	Hyd. Pump
5	433540	HL433540	Traction drive
6	433256	HL433256	Oil pump



ITEM	OEM REF.	PIX REF.	DESCRIPTION
7	433457	HL433457	Straw elevator
8	433418	HL433418	Conveyor drive
9	433424	HL433424	Fan
10	311134	HL311134	Grain shaker
* 11	433143	HL433143	Rotary filter

\* The text in *italics* indicates part numbers that belongs to RHS of the image.

**DEUTZ FAHR TOPLINER 460**



ITEM	OEM REF.	PIX REF.	DESCRIPTION
16	01145093	HDF01145093	Grain tank unload
17	01145051	HDF01145051	Straw walker set
18	01143412	HDF01143412	Feeder
19	01141608	HDF01141608	Feed drive
20	01143413	HDF01143413	Walker drive
21	01145087	HDF01145087	Shaker drive
22	01145025	HDF01145025	Walker drive
23	01141944	HDF01141944	Variator drive
24	01145102	HDF01145102	Engine drive
N/I	01145050	HDF01145050	Stripper drum

**NEW REFERENCES - "CASE"**

ITEM	OEM REF.	PIX REF.	Description
1	244420A1	HI244420	Rotor Drive 1660, 2166, 2365, 2366
2	244422A1	HI244422	Rotor Drive 1680, 2188
3	191241C3	HI191241	Separator Drive 1660, 2166, 2365, 2366
4	1330499C1	HI1330499	Separator Drive 1680 up to 114634
5	1541702C1	HI1541702	Separator Drive 1680 from 114635

## PREVENTIVE MAINTENANCE TIPS

Problems	Causes	Remedies
Belt turnover in pulleys	• Poor drive alignment	• Realign
	• Incorrect pulley groove or excessive wear in grooves	• Renew or replace pulleys
	• Excessive belt flap	• Use an idler on slack side
	• Low belt tension	• Retension
	• Worn out belts	• Replace with new belts
	• Ingress of foreign material	• Use more effective drive guard
Excessive wear	• Incorrect pulley section	• Renew or replace pulleys
	• Excessive wear in pulley groove	• Renew or re-machine pulleys
	• Poor drive alignment	• Realign
	• Small pulley diameter than recommended	• Redesign using correct pulley diameter.
	• Belt catching on protruding parts	• Remove protrusion or move drive away
Excessive noise	• Poor drive alignment	• Realign
	• Incorrect belt tension	• Retension
	• Overloaded	• Check drive details and redesign
	• Unbalanced pulleys	• Redesign, if necessary balance the pulleys
Belt swelling or softening	• Contamination by oil or other chemicals	• Protect the drive from contamination, clean pulley grooves. If contamination cannot be prevented use PIX AOH V- Belts.
Unusual belt stretch	• Worn out badly damaged grooves	• Re-machine or renew pulleys
	• Used belts & new belts are mixed up on drive	• Replace with completely new set of V-Belts
	• Belts from different manufacturers	• For using a matched set, belts must be from one manufacturer
Belt breaking after fitment	• Forcing belt over pulleys when fitting, damaging the cord and cover	• Reduce drive centre distance to fit belt
	• Ingress of foreign material	• Fit an effective guard
	• Insufficient belt or wrong section or drive	• Check drive design and fit correct number or section of belts
	• Drive stalled	• Ascertain cause and rectify
Cannot be re-tensioned	• Insufficient allowance for stretch in drive design	• Give sufficient allowance for take-up
	• Excessive stretch caused by insufficient belts or wrong belt section for drive	• Recalculate drive design and modify
	• Incorrect belt length	• Use belt of proper length
	• Belts from different manufacturers used on the same drive	• Use belts from one manufacturer

## PREVENTIVE MAINTENANCE TIPS

Problems	Causes	Remedies
Excessive slippage	• Too low belt tension	• Increase belt tension
	• Too small area of contact	• Increase shaft centre distance
	• Overload	• Redesign belt drive
	• Worn belt or pulley	• Change to new belt or pulley
Transversal cracking	• Too small pulleys	• Use standard size pulley.
	• Outside idler pulleys	• Use inside idler pulley in slack side
	• Ambient temperature too high	• Ensure good ventilation and protect from direct heat.
	• Ambient temperature too low	• Warm area surrounding the drive
	• Abnormal belt slip	• Check drive tension and drive design to ensure correct number of belts
Bottom & side of belt burnt	• Belt slipping under starting or stalling load	• Replace belt and tighten drive until slipping stops
	• Worn sheaves	• Replace sheaves
Belt pulled apart (snapped)	• Extreme shock load	• Remove cause of load
	• Misaligned drive	• Check drive alignment
	• Foreign particle in the drive	• Use drive guard

## TYPES OF FAILURES



Bottom crack



Belt snapped



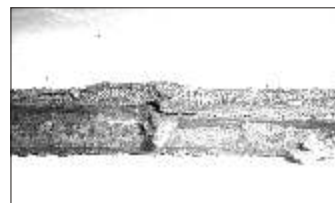
Shining surface due to high slippage



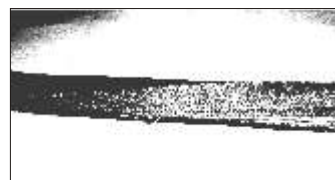
Stuck up and burnt



Belt snapped due to cord break while fitment



Envelope wear (side, bottom & top wear-out)



Belt twisted due to belt turnover in pulley

## DO'S & DON'TS OF PIX V-BELTS

