

# Bearing Supplies

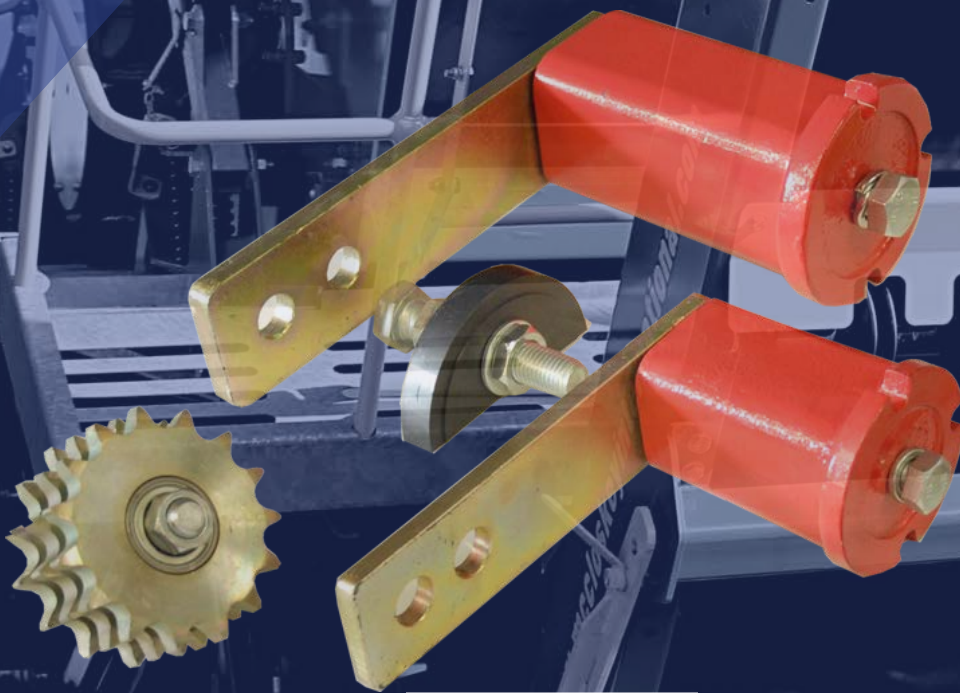
Norwich

tel: 01603891800

email: [sales@bearing-supplies.co.uk](mailto:sales@bearing-supplies.co.uk)

web: [www.bearing-supplies.co.uk](http://www.bearing-supplies.co.uk)

# *POWERDRIVE TENSIONERS*



# POWERDRIVE TENSIONERS

## INTRODUCTION

**ABSORB SHOCKS, KNOCKS, VIBRATIONS,  
AND OSCILLATIONS.**

POPULAR APPLICATIONS:

- Roller Chain Tensioning
- Drive Belt Tensioning
- Conveyor Belt Scraping
- Anti-Vibration damping.
- Shock Absorbing mounting.
- Cleaning Scrapers
- Decelerators

## FEATURES & BENEFITS

- Consistent Torque Output
- Reduced Noise
- Increased Belt & Chain Life
- Automatic Adjustment
- Maintenance Free
- High-quality Natural Rubber Inserts.
- Torsion angle can reach +/-30°
- Operating temperature from -40°C to +80°C
- Flexible 360° positioning and easy Installation.

\*Range of Idler Chain Sprockets, Idler Chain  
Wedges and Idler Pulleys Available



**POWER  
DRIVE**

# POWERDRIVE TENSIONERS

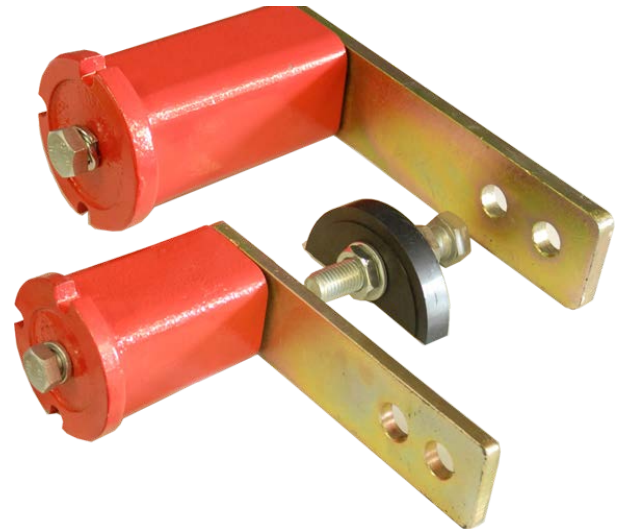
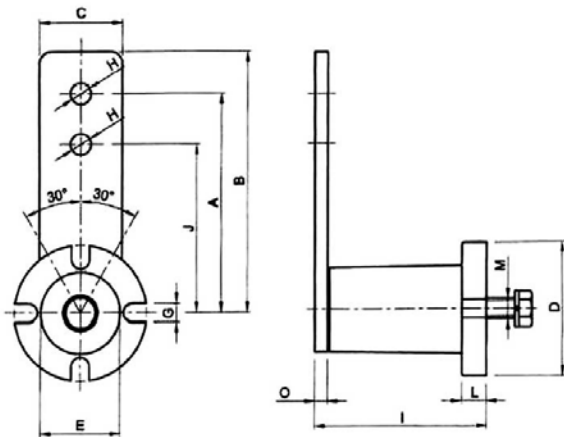


## TENSIONER DIMENSIONS

Part NO.	Movement Degree	Torque Point A (Nm)	Point J (N)	Weight KG
RE 10	0-30	85	113	0.28
RE 20	0-30	136	170	0.48
RE 30	0-30	340	425	0.73
RE 40	0-30	790	1027	2.00
RE 50	0-30	1600	2000	4.20
RE 60	0-30	2550	3190	7.00



Type	A	B	C	D	E	G	H	I	J	L	M	O	P	T	Weight
RE 10	80	90	25	40	20	7	8.5	50	60	6	M6	5	M4	25	0.28
RE 20	100	112.5	30	50	30	9	10.5	62	80	8	M8	5	M6	35	0.48
RE 30	100	115	35	60	35	9	10.5	76	80	10	M10	6	M6	40	0.73
RE 40	130	155	50	80	48	11	12.5	105	100	15	M12	8	M8	60	2.00
RE 50	175	205	65	100	62	13	20.5	136	140	15	M16	10	M8	80	4.20
RE 60	225	260	80	120	80	13	20.5	196	180	18	M20	12	M10	115	7.00



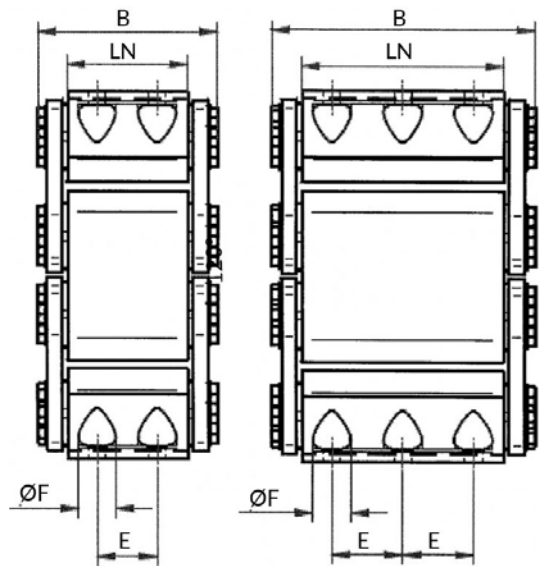
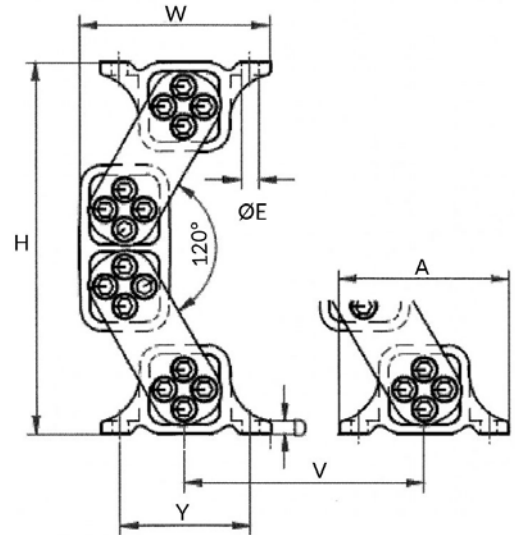
## TENSIONER DIMENSIONS

Idler Sprockets	
Code	Name
OVR 30-3D	RE30 CHAIN RIDER DUPLEX (VR 30-3D)(10B-2)
OVR 30-3S	RE30 CHAIN RIDER SIMPLEX (VR 30-3S)(10B-1)
OVR 30-3T	RE30 CHAIN RIDER TRIPLEX (VR 30-3T)(10B-3)
OVR 40-5D	RE40 CHAIN RIDER DUPLEX (VR 40-5D)(16B-2)
OVR 40-5S	RE40 CHAIN RIDER SIMPLEX (VR 40-5S)(16B-1)
OVR 40-5T	RE40 CHAIN RIDER TRIPLEX (VR 40-5T)(16B-3)
OVR 50-5D	RE50 CHAIN RIDER DUPLEX (VR 50-5D)(16B-2)
OVR 50-5S	RE50 CHAIN RIDER SIMPLEX (VR 50-5S)(16B-1)
OVR 50-5T	RE50 CHAIN RIDER SIMPLEX (VR 50-5T)(16B-3)
OVR 50-7D	RE50 CHAIN RIDER DUPLEX (VR 50-7D)(24B-2)
OVR 50-7S	RE50 CHAIN RIDER SIMPLEX (VR 50-7S)(24B-1)



# RESATEC SCREEN MOUNTING

## RESATEC SCREEN MOUNTING TYPE CH PL



Resatec - Screen Mounting Type CH PL																
Type	Nr.	H		W		A	B	LN	D	E	ØE +/-0.2	ØE Min. Bolts	ØF +/-0.2	Y	V Min.	Weight (Kg)
		Unloaded	Max Load 1T/1D - 1J/1Y	Unloaded	Max Load 1T/1D - 1J/1Y											
CH PL 3-40	556 200 01	135	118 -115	70	80-82	65	52	40	4	0	7	4	0	50	80	1
CH PL 7-110	556 207 02	340	290 -283	170	1992-02	145	145	110	8	65.0	13	8		115	220	7.9
CH PL 8-120	556 208 01	376	315 -307	191	226-229	170	180	120	13	60.0	17	8	38	130	240	15.8
CH PL 8-160	556 208 02	376	315 -305	191	226-230	170	220	160	13	2X20	17	12	38	130	240	18.3
CH PL 8-200	557 208 03	376	315 -307	191	226-229	170	260	200	13	2X70	17	12	38	130	240	21.2
CH PL 8-240	558 208 04	376	315 -306	191	226-229	170	300	240	13	3X60	17	16	38	130	240	23.9
CH PL 8-320	559 208 05	376	314 -305	191	226-230	170	380	320	13	4X60	17	20	38	130	240	29.3
CH PL 8-400	560 208 06	376	315 -307	191	226-229	170	460	400	13	4X70	17	20	38	130	240	34.6

# TELESCOPIC TENSIONER

## HEAD DRUM TENSION ADJUSTER

Telescopic Tensioner								
Part No.	Overall Closed Length A (mm)	Hole Centres Horizontal B (mm)	Base Width C (mm)	Mounting Thread Length D (mm)	Adjustment E (mm)	Box Dim. F (mm)	Hole Centres Vertical G (mm)	Thread
AX818-60	550	358	250	30	300	70	102	M24
AX815-80	750	508	355	30	350	80	140	M30

